

Champion®

Service Replacement Parts

64 PRO Series Two Tank Rack Conveyor Dishwasher

OPTIONS:

- VHR - Ventless Heat Recovery
- HR - Heat Recovery

Standard Models

64 PRO	86 PRO
90FF PRO	
100HD PRO	

VHR Models

64 PRO-VHR	86 PRO-VHR
90FF PRO-VHR	
100HD PRO-VHR	

HR Models

64 PRO-HR	86 PRO-HR
90FF PRO-HR	
100HD PRO-HR	



Issue Date: 10.6.21

Manual P/N 116083 rev. G

For machines beginning with S/N D19051979 and above

3765 Champion Boulevard
Winston-Salem, NC 27105
(336) 661-1556 Fax: (336) 661-1660
Toll-free: 1 (800) 858-4477

2674 N. Service Road, Jordan Station
Ontario, Canada L0R 1S0
(905) 562-4195 Fax: (905) 562-4618
Toll-free: 1(800) 263-5798

Printed in the USA



NATIONAL SERVICE DEPARTMENT

USA

Toll-free: 1-800-858-4477
Tel: (336) 661-1556
Fax: (336) 661-1660
Email: service@championindustries.com

Canada

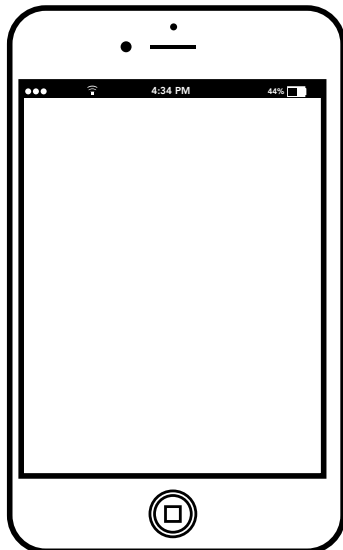
Toll-free: 1-800-263-5798
Tel: (905) 562-4195
Fax: (905) 562-4618
Email: service@moyerdiebellimited.com

ATTENTION

The machine data plate
is located on the side of
upper control panel.



Three ways to REGISTER YOUR PRODUCT and ACTIVATE YOUR WARRANTY.



- Use your mobile phone or computer to go to our website at www.championindustries.com and register your product.
- Scan the QR code label located above or near the data plate to register your product.
- Use the fax form on the next page.

PRODUCT REGISTRATION BY FAX

COMPLETE THIS FORM AND FAX TO:

(336) 661-1660 in the USA

1-(800) 204-0109 in Canada

PRODUCT REGISTRATION CARD

Model

Serial #

Date of Installation: ___/___/___

Company Name: _____

Address: _____
(Street) State/Province Zip/Postal Code

Telephone #: () _____ --- _____

Contact: _____

Installation Company: _____

Address: _____

Telephone #: _____

Contact: _____

FAILURE TO REGISTER YOUR PRODUCT MAY VOID YOUR WARRANTY

IMPORTANT IMPORTANT

Revision History

Specifications are subject to change based on continual product improvement.

<i>Revision Date</i>	<i>Revised Pages</i>	<i>Serial Number Effectivity</i>	<i>Revision Description</i>
10.8.19	All	RP19051979	Released first edition
11.6.19	22-23	All	Revised final rinse assy.
12.20.19	66-67	All	Revised ION assembly
	68-69	All	Revised pump/motor assembly
	70-71	All	Revised pump installations
1.26.20	12-13	RP20012488	Added clutch continual drive assembly
2.10.20	4-5	RP19051979 to S/N RP20012488	Current transformer replaced by new clutch assembly a S/N RP20012488
5.11.20	53	All	Changed Item 15 to P/N 113604
3.4.21	All	RP20102891	Added VHR and HR P/N's and illustrations
10.6.21	60-61	RP21083364	Changed well type element thermistor to tank thermistor under the booster tank

Limited Warranty

LIMITED WARRANTY

Champion Industries (herein referred to as "The Company"), 3765 Champion Blvd., Winston-Salem, North Carolina 27105, and 2674 N. Service Road, Jordan Station, Ontario, Canada, L0R 1S0, warrants machines, and parts, as set out below.

Warranty of Machines: The Company warrants all new machines of its manufacture bearing the name "Champion and installed within the United States and Canada to be free from defects in material and workmanship for a period of one (1) year after the date of installation or fifteen (15) months after the date of shipment by The Company, whichever occurs first. [See below for special provisions relating to glasswashers.] Warranty registration must be submitted to The Company within ten (10) days after installation either online on the Champion Industries website (<http://www.champion-industries.com>) or by the fax form provided at the front of this manual. The Company will not assume any responsibility for extra costs for installation in any area where there are jurisdictional problems with local trades or unions.

If a defect in workmanship or material is found to exist within the warranty period, The Company, at its election, will either repair or replace the defective part or accept return of the machine for full credit; provided; however, as to glasswashers, The Company's obligation with respect to labor associated with any repairs shall end (a) 120 days after shipment, or (b) 90 days after installation, whichever occurs first. In the event that The Company elects to repair, the labor and work to be performed in connection with the warranty shall be done during regular working hours by a Champion authorized service technician. Defective parts become the property of The Company. Use of replacement parts not authorized by The Company will relieve The Company of all further liability in connection with its warranty. In no event will The Company's warranty obligation exceed The Company's charge for the machine. The following are not covered by The Company's warranty:

- a. Lighting of gas pilots or burners.
- b. Cleaning of gas lines.
- c. Replacement of fuses or resetting of overload breakers.
- d. Adjustment of thermostats.
- e. Adjustment of clutches.
- f. Opening or closing of utility supply valves or switching of electrical supply current.
- g. Cleaning of valves, strainers, screens, nozzles, or spray pipes.
- h. Performance of regular maintenance and cleaning as outlined in the operator's guide.
- i. Damages resulting from water conditions, accidents, alterations, improper use, abuse, tampering, improper installation, or failure to follow maintenance and operation procedures.
- j. Wear on Pulper cutter blocks, pulse vanes, and auger brush.

Examples of the defects not covered by warranty include, but are not limited to: (1) Damage to the exterior or interior finish as a result of the above, (2) Use with utility service other than that designated on the rating plate, (3) Improper connection to utility service, (4) Inadequate or excessive water pressure, (5) Corrosion from chemicals dispensed in excess of recommended concentrations, (6) Failure of electrical components due to connection of chemical dispensing equipment installed by others, (7) Leaks or damage resulting from such leaks caused by the installer, including those at machine table connections or by connection of chemical dispensing equipment installed by others, (8) Failure to comply with local building codes, (9) Damage caused by labor dispute.

Warranty of Parts: The Company warrants all new machine parts produced or authorized by The Company to be free from defects in material and workmanship for a period of 90 days from date of invoice. If any defect in material and workmanship is found to exist within the warranty period The Company will replace the defective part without charge.

DISCLAIMER OF WARRANTIES AND LIMITATIONS OF LIABILITY. THE COMPANY'S WARRANTY IS ONLY TO THE EXTENT REFLECTED ABOVE. THE COMPANY'S MAKE NO OTHER WARRANTIES, EXPRESS OR IMPLIED, INCLUDING, BUT NOT LIMITED, TO ANY WARRANTY OF MERCHANTABILITY, OR FITNESS OF PURPOSE. THE COMPANY SHALL NOT BE LIABLE FOR INCIDENTAL OR CONSEQUENTIAL DAMAGES. THE REMEDIES SET OUT ABOVE ARE THE EXCLUSIVE REMEDIES FOR ANY DEFECTS FOUND TO EXIST IN THE COMPANY'S DISHWASHING MACHINES AND THE COMPANY'S PARTS, AND ALL OTHER REMEDIES ARE EXCLUDED, INCLUDING ANY LIABILITY FOR INCIDENTALS OR CONSEQUENTIAL DAMAGES.

The Company does not authorize any other person, including persons who deal in Champion dishwashing machines to change this warranty or create any other obligation in connection with Champion dishwashing machines.

TABLE OF CONTENTS

ILLUSTRATION	PAGE
Control Cabinet.....	4
Controls (Prior to S/N RP20102891)	6
Controls w/o Chemical Pump Assembly (Beginning with S/N-TBD)	8
Controls with Chemical Pump Assembly (Beginning with S/N-TBD).....	10
Junction Box.....	12
Conveyor Assembly (Prior to S/N RP21013012).....	14
Conveyor Assembly (Beginning with S/N RP2013012).....	16
Continual Drive Assembly (Prior to S/N RP20012488)	18
Clutch Style Continual Drive Assembly (Beginning with S/N RP20012488)	20
Power Rinse Drain Assembly.....	22
Wash Tank Drain Assembly without Prewash.....	24
Wash Tank Drain Assembly with Prewash	26
64 PRO Power Rinse Fill Assembly (Prior to S/N RP20112924).....	28
64 PRO Wash Fill Assembly (Prior to S/N RP20112924).....	30
L-R Final Rinse Assembly (All S/N's).....	32
64 PRO L-R Final Rinse Piping Assembly (All S/N's)	34
64 PRO L-R Main Connect Piping Assembly (Prior to S/N RP20112924)	36
22" Prewash Door Assembly.....	38
36" Prewash Door Assembly.....	40
Wash Tank/Power Rinse Tank Door Assembly	42
Wash Tank Panels, Curtains, and Screens	44
Tank Floats and Thermistors	46
Left-hand Wash and Power Rinse Manifold Assembly.....	48
Right-hand Wash and Power Rinse Manifold Assembly	50
22" and 36" Prewash Panels, Curtains, and Screens	52
22" and 36" Prewash Spray Manifolds (Prior to S/N RP21013012).....	54
22" and 36" Prewash Spray Manifolds (Beginning with S/N RP21013012).....	56
Wash/Power Rinse Tank Heaters.....	58
Electric Booster	60
External Steam Booster Cabinet (All 64PRO S/N's).....	62
External Steam Booster Piping Assembly (All 64PRO S/N's).....	64
Steam Coils and Piping	66
VHR Assembly (All 64PRO -VHR S/N's).....	68
Heat Recovery Unit Coil.....	70
64PRO-HRU Connect Piping Assembly (Prior to S/N RP20112924).....	72
64PRO-HRU Connect Piping Assembly (Beginning with S/N RP20112924).....	74

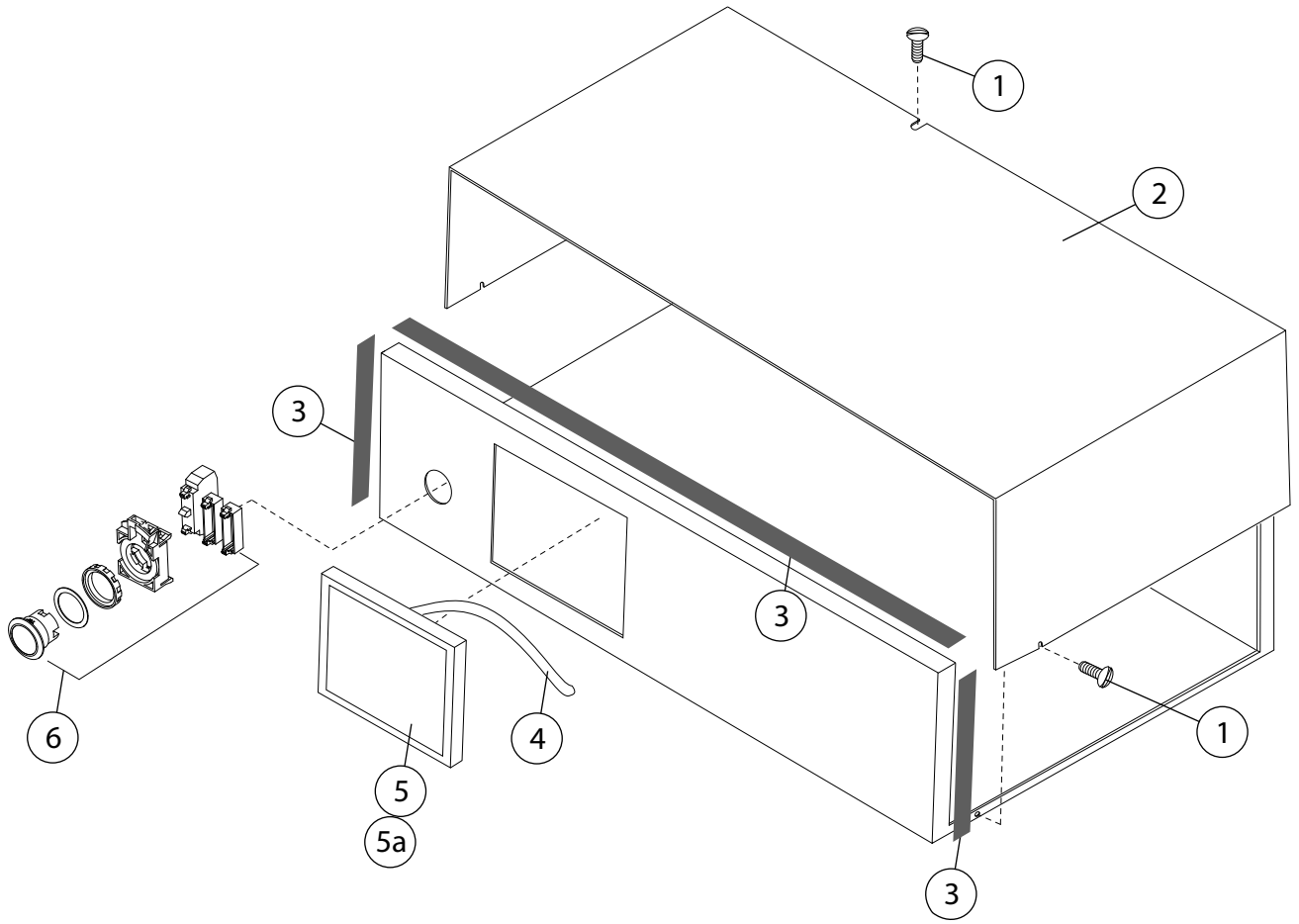
Continued on next page.

TABLE OF CONTENTS (Continued)

Heat Recovery Unit Vent Cowl.....	76
Standard Vent Cowl and Splash Shields	78
Ion Water Conditioner/Drain Water Tempering Kit	80
Three Phase Wash/Prewash Pump and Motor.....	82
Pump Installations	84
VHR Recirculation Pump Installation.....	86
Chemical Pump Installation (Beginning with S/N RP20102891)	88
Dish Racks	90
64 PRO Standard Hose Plumbing Diagram (Prior to S/N RP20112924).....	92
64 PRO Main Piping Assembly with Booster (Beginning with S/N RP20112924)	94
64 PRO Fill Piping Assembly (Beginning with S/N RP20112924)	96
64 PRO Final Rinse Piping Assembly (Beginning with S/N RP20112924).....	98
64PRO-VHR Fill Piping Assembly (All 64PRO-VHR S/N's)	100
64PRO-VHR Heat Pump Cold Water Inlet (Beginning S/N-TBD).....	100
64PRO-VHR Final Rinse Piping Assembly (Beginning S/N-TBD)	102
64PRO-VHR Heat Pump Cold Water Inlet (Beginning S/N-TBD).....	104
64PRO-VHR Auto-modulating Discharge Valve Piping Assembly (Beginning S/N-TBD)	106
64 PRO HRU Connect Piping Assembly	106
64PRO-VHR Hose Plumbing Diagram.....	109
64PRO with Booster Hose Plumbing Diagram	110
64PRO without Booster Hose Plumbing Diagram	111

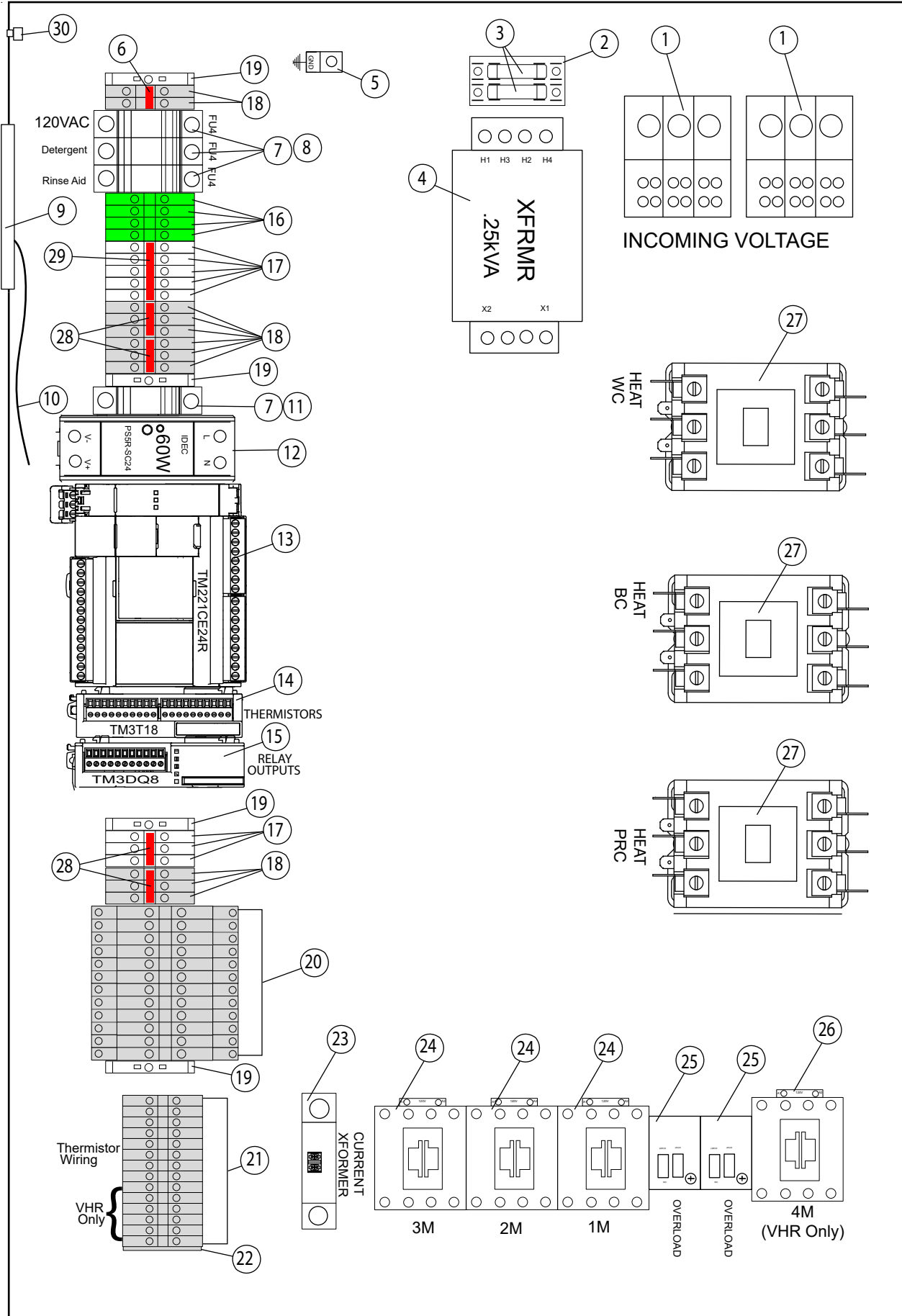
**This Page
Intentionally
Left Blank**

Control Cabinet



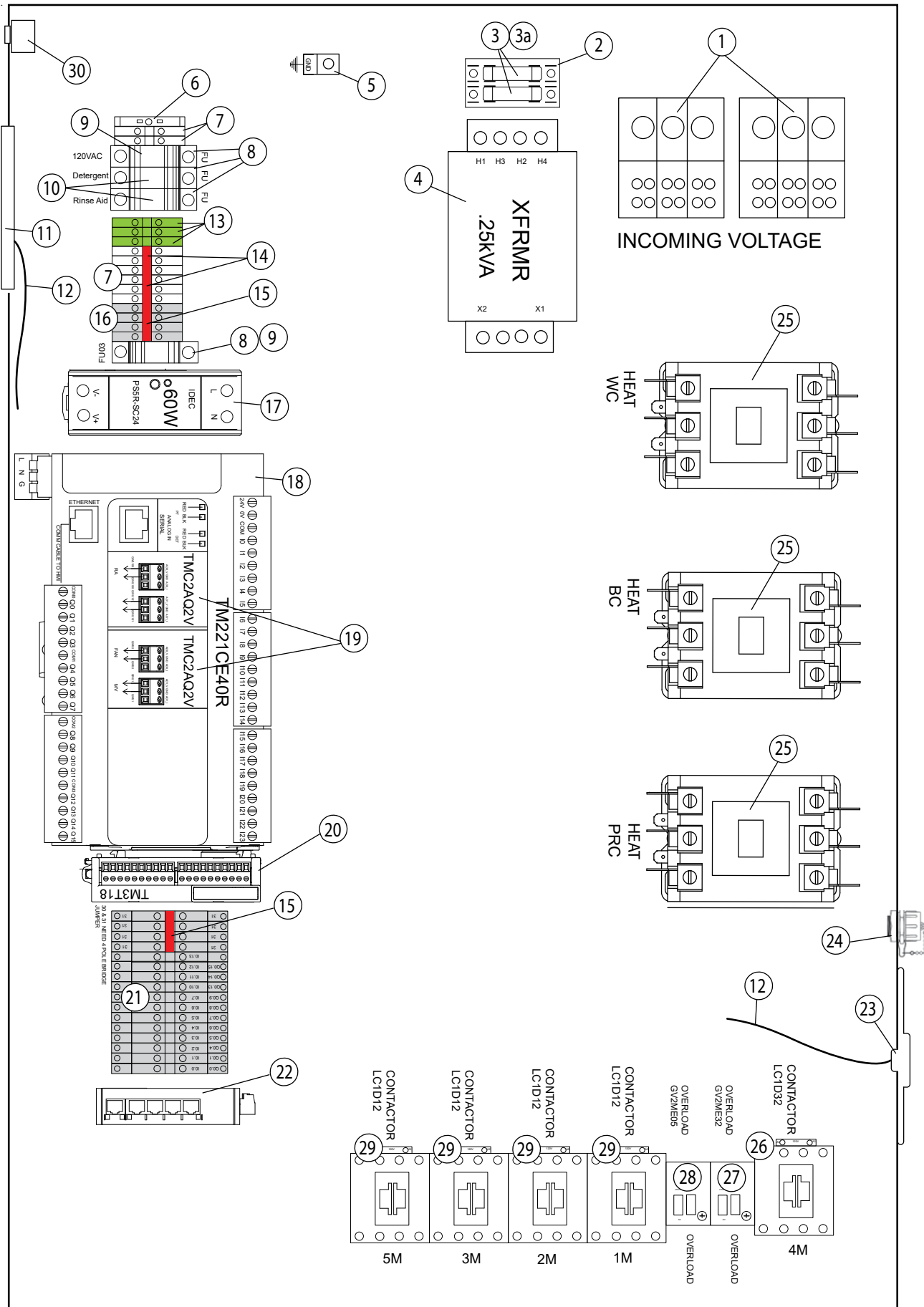
Item No.	Part No.	Description	Qty.
1	100007	SCREW, 10-32 X 3/8" TRUSS HEAD	3
2	339380	COVER, CABINET 36" (PENDING, S/N-TBD)	1
3	107431	GASKET, STEAM	5 FT.
4	116919	CABLE, HMI TO PLC	1
5	116889	HMI, 4.3" SCHNEIDER (CURRENT PRODUCTION)	1
5a	117082	HMI, 7" , SCHNEIDER, (BEGINNING S/N-TBD)	1
6	116852	PUSH BUTTON, GREEN, FLUSH, 22MM ENGRAVED	1

Controls (Prior to S/N RP20102891)



Item No.	Part No.	Description	Qty.
1	111833	BLOCK, INPUT TERMINAL, 175A, 3-POLE	1
2	112424	BLOCK, FUSE KIT	1
3	112482	FUSE, 3.5A, 208-240V/60/ 1 & 3	2
3a	112484	FUSE, 1.5A 460-480V, 380-415V, 575V	2
4	109064	TRANSFORMER, 250VA	1
5	103310	LUG, GROUND	1
6	114523	BRIDGE, 2-POLE, FBS 2-5	2
7	111153	BLOCK, FUSE	4
8	112887	FUSE, ATDR 0.5A, TIME DELAY	3
9	116889	HMI, SCHNEIDER PRO FACE	1
10	116919	CABLE, NETWORK, PLC TO HMI	1
11	112901	FUSE, LPCC 1.0A	1
12	116967	POWER SUPPLY, 60W, IDEC	1
13	116888	PLC, SCHNEIDER, TM221CE24R	1
14	116891	MODULE, SCHNEIDER THERMISTOR, TM3T18	1
15	116934	MODULE, RELAY OUTPUT, 8PT, SCHNEIDER TM3DQ8	1
16	114515	TERMINAL, SINGLE GROUND, ST 2.5 PE, GREEN	4
17	114514	TERMINAL, SINGLE ST 2.5 WHITE	8
18	114512	TERMINAL, SINGLE, ST 2.5 GRAY	9
19	114519	BLOCK, END E/NS 35 N	4
20	114517	TERMINAL, DOUBLE STTB 2.5	12
21	114520	TERMINAL, SINGLE, MZB 1.5 NS35	14
22	114516	END COVER, SINGLE TERMINAL, D-ST 2.5	1
23	116802	CURRENT, XFMR, DWYER (From S/N RP19051979 to S/N RP20012488)	1
24	108122	CONTACTOR, 12A	3
25	111624	OVERLOAD, MOTOR STARTER, 0.63 - 1.0A	2
26	116634	CONTACTOR, LC1D32G7, 120VAC COIL	1
27	116166	CONTACTOR, 60 FLA, 3-POLE, 120VAC COIL	3
28	114524	BRIDGE, 3-POLE, FBS 3-5	4
29	114823	BRIDGE, 4-POLE, FBS 4-5	1
30	116852	PUSH BUTTON, GREEN, FLUSH, 22MM ENGRAVED	1

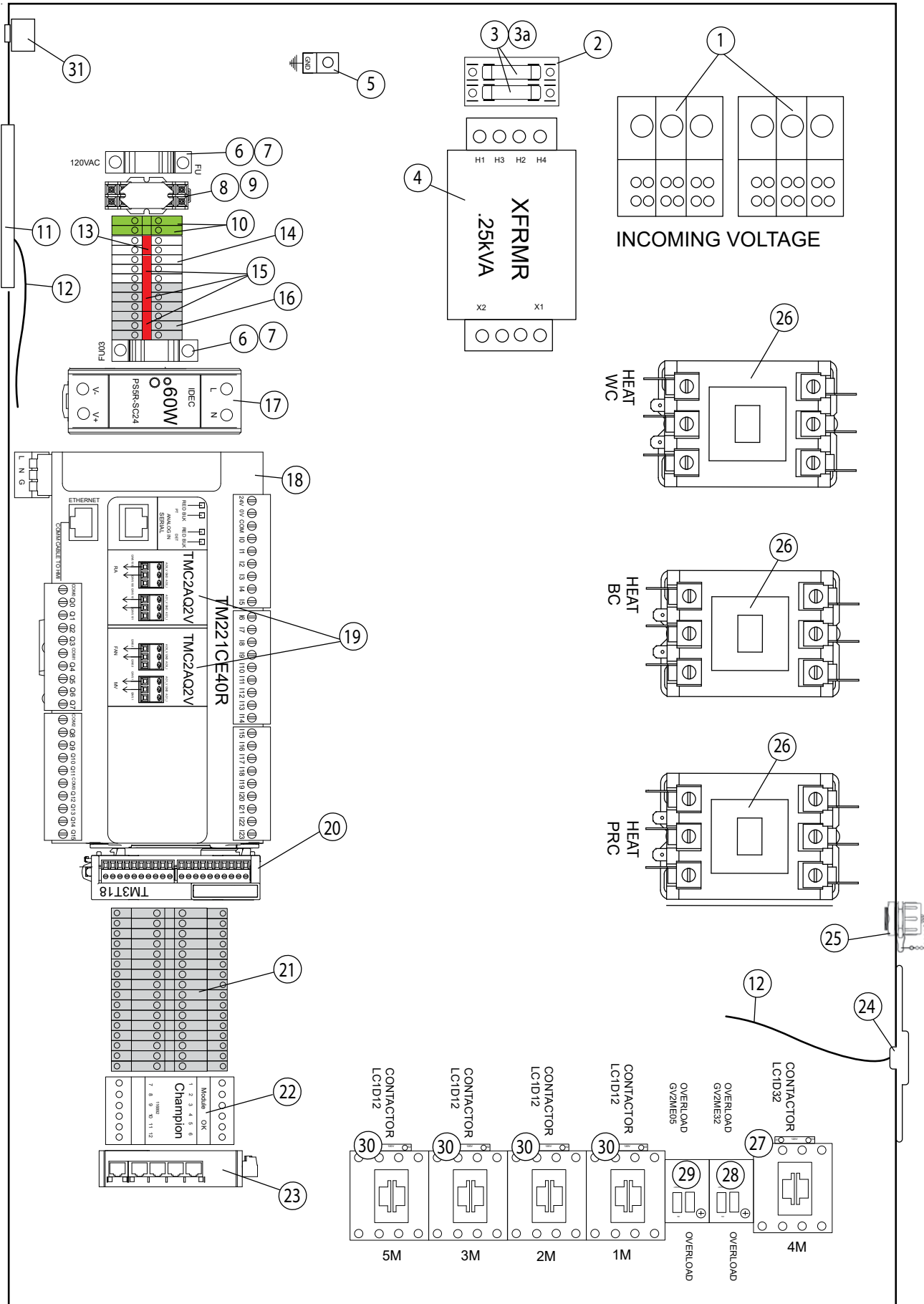
Controls w/o Chemical Pump Assembly (Beginning with S/N — TBD)



Controls w/o Chemical Pump Assembly (Beginning with S/N — TBD)

Item No.	Part No.	Description	Qty.
1	111833	BLOCK, INPUT TERMINAL, 175A, 3-POLE	2
2	112424	BLOCK, FUSE KIT	1
3	112482	FUSE, 3.5A, 208-240V/60/ 1 & 3	2
3a	112484	FUSE, 1.5A 460-480V, 380-415V, 575V	2
4	109064	TRANSFORMER, 250VA	1
5	103310	LUG, GROUND	1
6	114519	BLOCK, END, E/NS 35 N	1
7	114514	TERMINAL, SINGLE ST 2.5 WHITE	8
8	111153	BLOCK, FUSE	4
9	112901	FUSE, LPCC 1.0A	2
10	112887	FUSE, ATDR 0.5A, TIME DELAY	2
11	116889	HMI, SCHNEIDER PRO FACE, 11"	1
12	116919	CABLE, NETWORK	2
13	114515	TERMINAL, SINGLE GROUND, ST 2.5 PE, GREEN	3
14	114524	BRIDGE, 3-POLE, FBS 3-5	3
15	114823	BRIDGE, 4-POLE, FBS 4-5	2
16	114512	TERMINAL, SINGLE, ST 2.5 GRAY	6
17	116967	POWER SUPPLY, 60W, IDEC	1
18	117105	PLC, SCHNEIDER, TM221CE40R	1
19	116890	CARTRIDGE, ANALOG OUTPUT	2
20	116891	MODULE, SCHNEIDER THERMISTOR, TM3T18	1
21	114517	TERMINAL, DOUBLE STTB 2.5	16
22	117132	ROUTER & HUB, WIRELESS, STRIDELINX	1
23	117159	ANTENNA, WIFI, 2.4 GHZ	1
24	117244	COUPLER, RJ45 ETHERNET W/ DUST CAP	1
25	116166	CONTACTOR, 60 FLA, 3-POLE, 120VAC COIL	3
26	116634	CONTACTOR, LC1D32G7, 120VAC COIL	1
27	116636	OVERLOAD, MOTOR STARTER, 24-32A	1
28	111624	OVERLOAD, MOTOR STARTER, 0.63 - 1.0A	1
29	108122	CONTACTOR, 12A	4
30	116852	PUSH BUTTON, GREEN, FLUSH, 22MM ENGRAVED	1

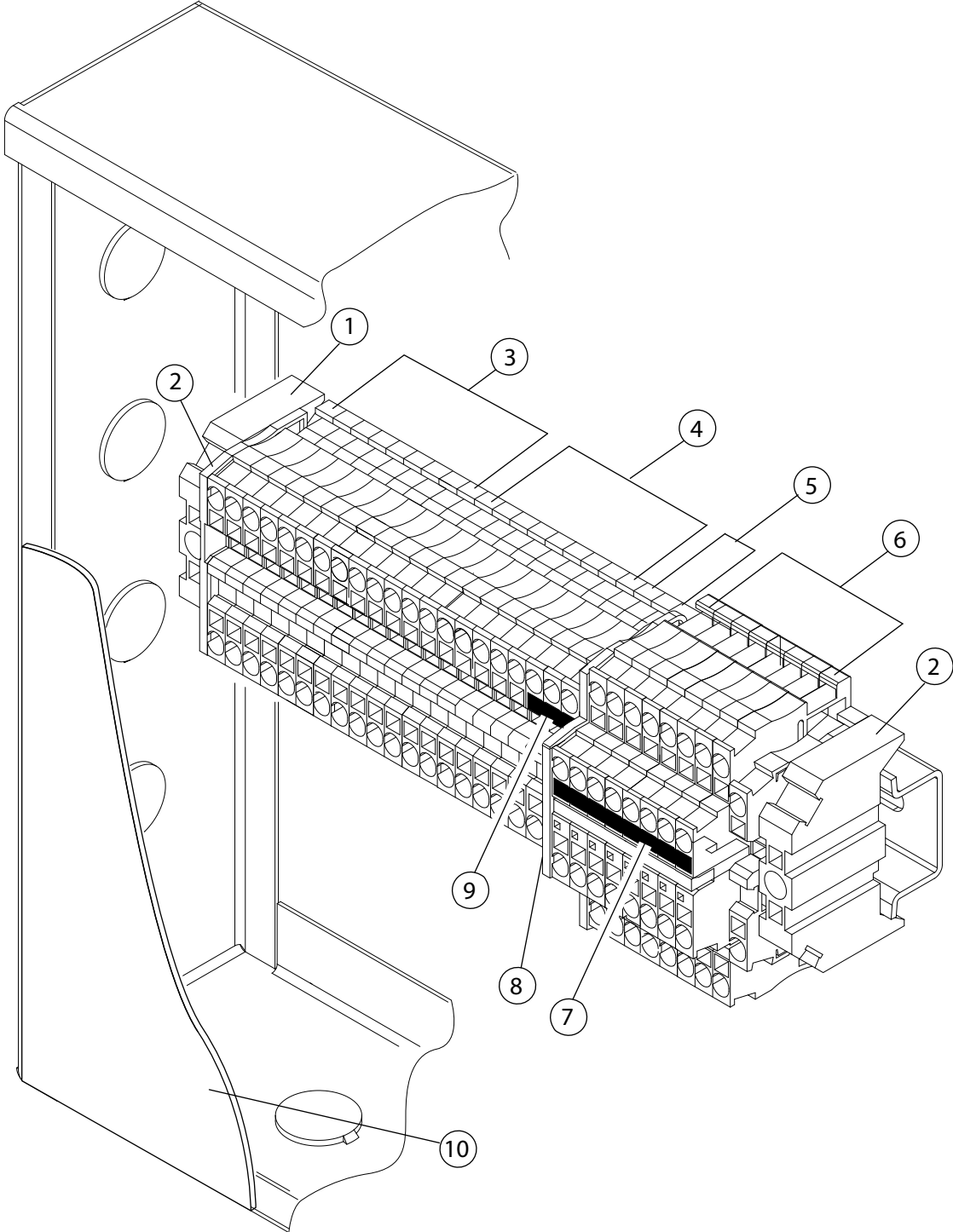
Controls with Chemical Pump Assembly (Beginning with S/N — TBD)



Controls with Chemical Pump Assembly (Beginning with S/N — TBD)

Item No.	Part No.	Description	Qty.
1	111833	BLOCK, INPUT TERMINAL, 175A, 3-POLE	2
2	112424	BLOCK, FUSE KIT	1
3	112482	FUSE, 3.5A, 208-240V/60/ 1 & 3	2
3a	112484	FUSE, 1.5A 460-480V, 380-415V, 575V	2
4	109064	TRANSFORMER, 250VA	1
5	103310	LUG, GROUND	1
6	111153	BLOCK, FUSE	2
7	112901	FUSE, LPCC 1.0A	2
8	111036	SOCKET, RELAY	1
9	111068	RELAY, 2PDT, 120VAC	1
10	114515	TERMINAL, SINGLE GROUND, ST 2.5 PE, GREEN	2
11	116889	HMI, SCHNEIDER PRO FACE, 11"	1
12	116919	CABLE, NETWORK	2
13	114523	BRIDGE, 2-POLE, FBS 2-5	1
14	114514	TERMINAL, SINGLE ST 2.5 WHITE	5
15	114524	BRIDGE, 3-POLE, FBS 3-5	3
16	114512	TERMINAL, SINGLE, ST 2.5 GRAY	6
17	116967	POWER SUPPLY, 60W, IDEC	1
18	117105	PLC, SCHNEIDER, TM221CE40R	1
19	116890	CARTRIDGE, ANALOG OUTPUT	2
20	116891	MODULE, SCHNEIDER THERMISTOR, TM3T18	1
21	114517	TERMINAL, DOUBLE STTB 2.5	16
22	116892	CONDITIONER, DETERGENT SIGNAL	1
23	117132	ROUTER & HUB, WIRELESS, STRIDELINX	1
24	117159	ANTENNA, WIFI, 2.4 GHZ	1
25	117244	COUPLER, RJ45 ETHERNET W/ DUST CAP	1
26	116166	CONTACTOR, 60 FLA, 3-POLE, 120VAC COIL	3
27	116634	CONTACTOR, LC1D32G7, 120VAC COIL	1
28	116636	OVERLOAD, MOTOR STARTER, 24-32A	1
29	111624	OVERLOAD, MOTOR STARTER, 0.63 - 1.0A	1
30	108122	CONTACTOR, 12A	4
31	116852	PUSH BUTTON, GREEN, FLUSH, 22MM ENGRAVED	1

Junction Box

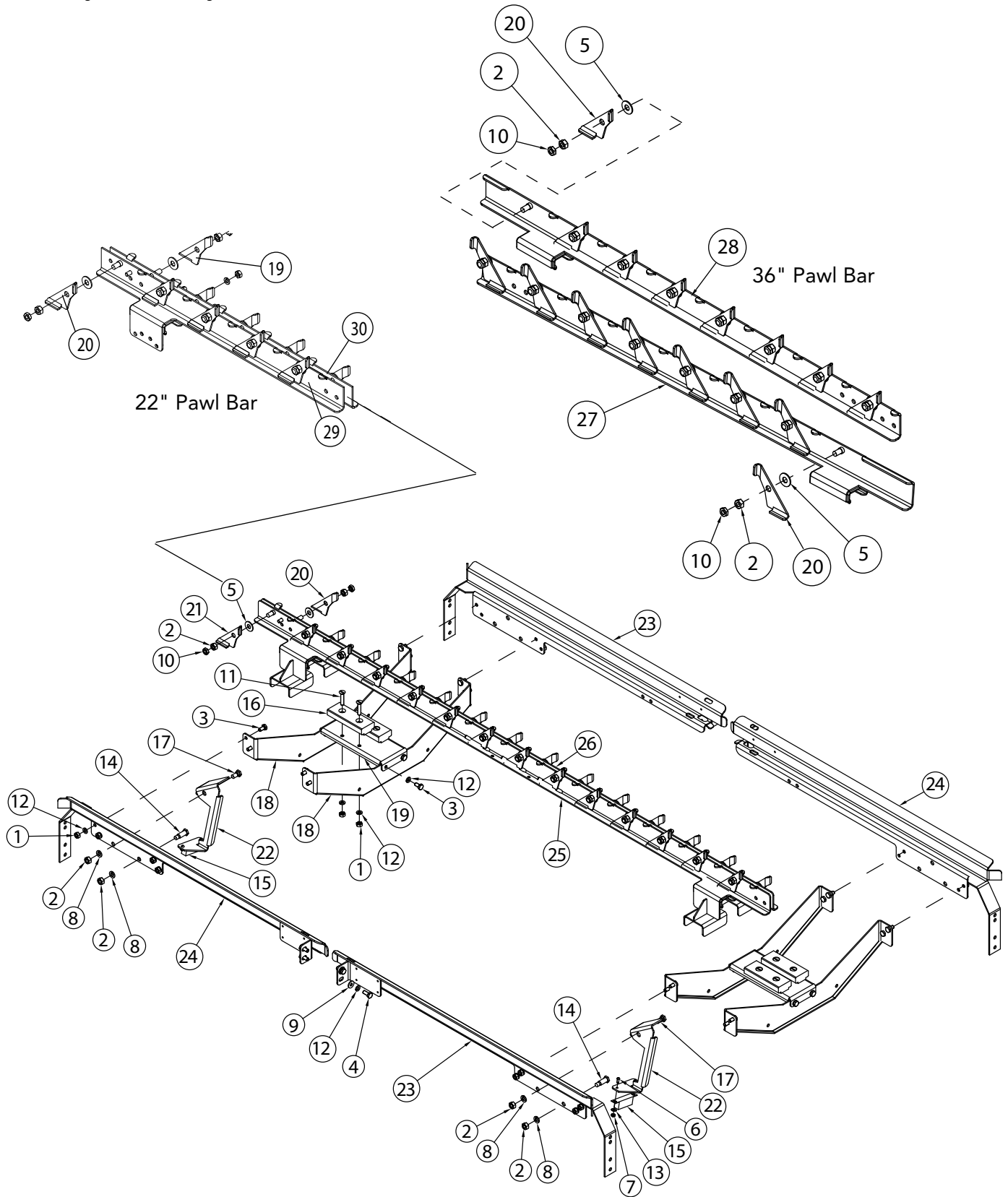


Item No.	Part No.	Description	Qty.
1	114519	END BLOCK, E/NS 35N	2
2	114516	END COVER, SINGLE TERMINAL D-ST-2.5	1
3	114513	TERMNAL, SINGLE ST 2.5 BU (BLUE)	9
4	114512	TERMINAL, SINGLE ST 2.5 (GRAY)	9
5	114514	TERMINAL, SINGLE ST 2.5 WH, (WHITE)	3
6	114517	TERMINAL, DOUBLE STTB 2.5	9
7	114522	BRIDGE, 10 POLE FBS 10-5	1
8	114518	END COVER, DOUBLE TERMINAL D-STTB 2.5	1
9	114524	BRIDGE, 3 POLE FBS 3-5	1
10	337582	COVER, ENCLOSURE	1
---	114520	THERMISTOR TERMINAL BLOCK, SINGLE TERMINAL MZB 1.5 NS35 (NOT SHOWN)	4

NOTE:

TERMINAL BLOCK QUANTITIES MAY VARY DEPENDING ON MACHINE OPTIONS.

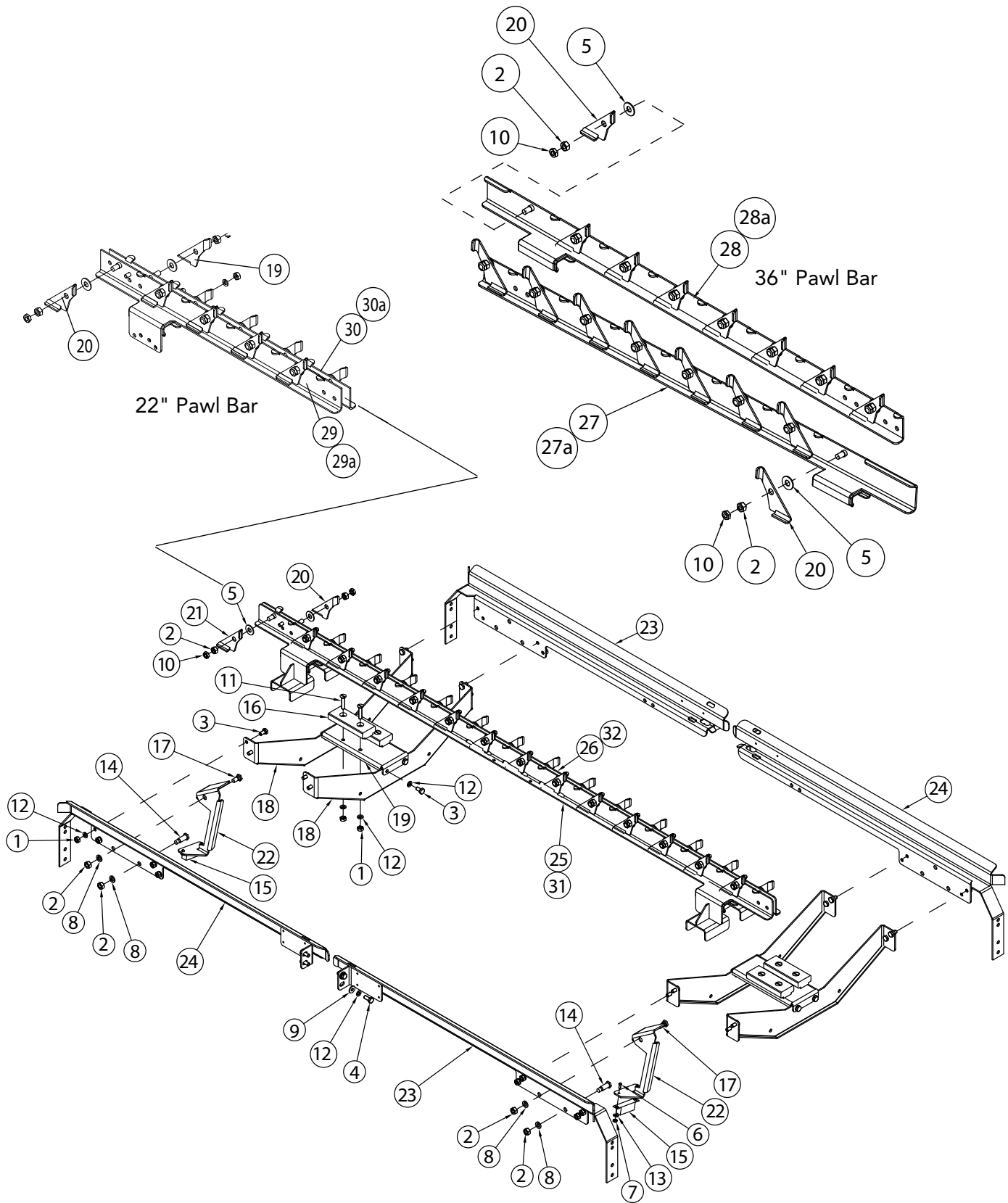
Conveyor Assembly (Prior to S/N RP21013012)



Conveyor Assembly (Prior to S/N RP21013012)

Item No.	Part No.	Description	Qty.
1	100003	HEX PLAIN NUT, 1/4-20 SST	24
2	100154	HEX PLAIN NUT, 5/16-18 SST	32
3	100734	BOLT, HEX HEAD 1/4-20 X 1/2" SST	24
4	100735	BOLT, HEX HEAD, 1/4-20 X 5/8" SST	4
5	104618	WASH, FLAT, 3/8"	28
6	104883	SCREW, 6-32 X 3/8", ROUND HEAD, SST	4
7	104971	HEX GRIP NUT, 6-32 SST	4
8	106013	WASHER, LOCK, 5/16" SPLIT, SST	4
9	106026	WASHER, FLAT, 1/4" SST	4
10	106198	NUT, JAM 5/16-18 SST	28
11	106474	SCREW, FLAT HEAD, 1/4-20 X 1-1/4" SST	8
12	106482	WASHER, LOCK 1/4" SPLIT SST	36
13	107033	WASHER, FLAT, SST	4
14	113692	BOLT SHOULDER 3/8" X 3/4" X 5/16-18 X 3/8" SST	2
15	113937	MAGNET, REED SWITCH	2
16	116333	BEARING, BLOCK, UHMW	4
17	116470	BOLT, SHOULDER 3/8" X 1/8" X 5/16-18 X 1/2" SST	2
18	337302	CROSSRAIL, SUPPORT, DEVP., PRO	4
19	337303	CROSSRAIL, DEVP., BEARING MOUNT, V2	2
20	337602-1	PAWL, FRONT, RL, PRO RACK, FAS	14
21	337602-2	PAWL, FRONT, LR, PRO RACK, FOP	14
22	338180-1	IDLE/FINAL RINSE LEVER, LR, M1 PRO RACK	2
23	339466	TRACK, WELD, 64 PRO, LH-RR OR RH-FR	2
24	339467	TRACK WELD, 64 PRO, LH-FR OR RH-RR	2
25	420570	PAWL BAR ASSY., ROLL DR, 64 PRO, LR-FR OR RL-RR	1
26	420571	PAWL BAR ASSY., ROLL DR, 64 PRO, LR-RR OR RL-FR	1
27	338271	PAWL BAR ASSY., 36" LH, PREWASH	1
28	338272	PAWL BAR ASSY., 36" RH, PREWASH	1
29	420346	PAWL BAR ASSY., 22 PRO, RH	1
30	420347	PAWL BAR ASSY., 22 PRO LH	1

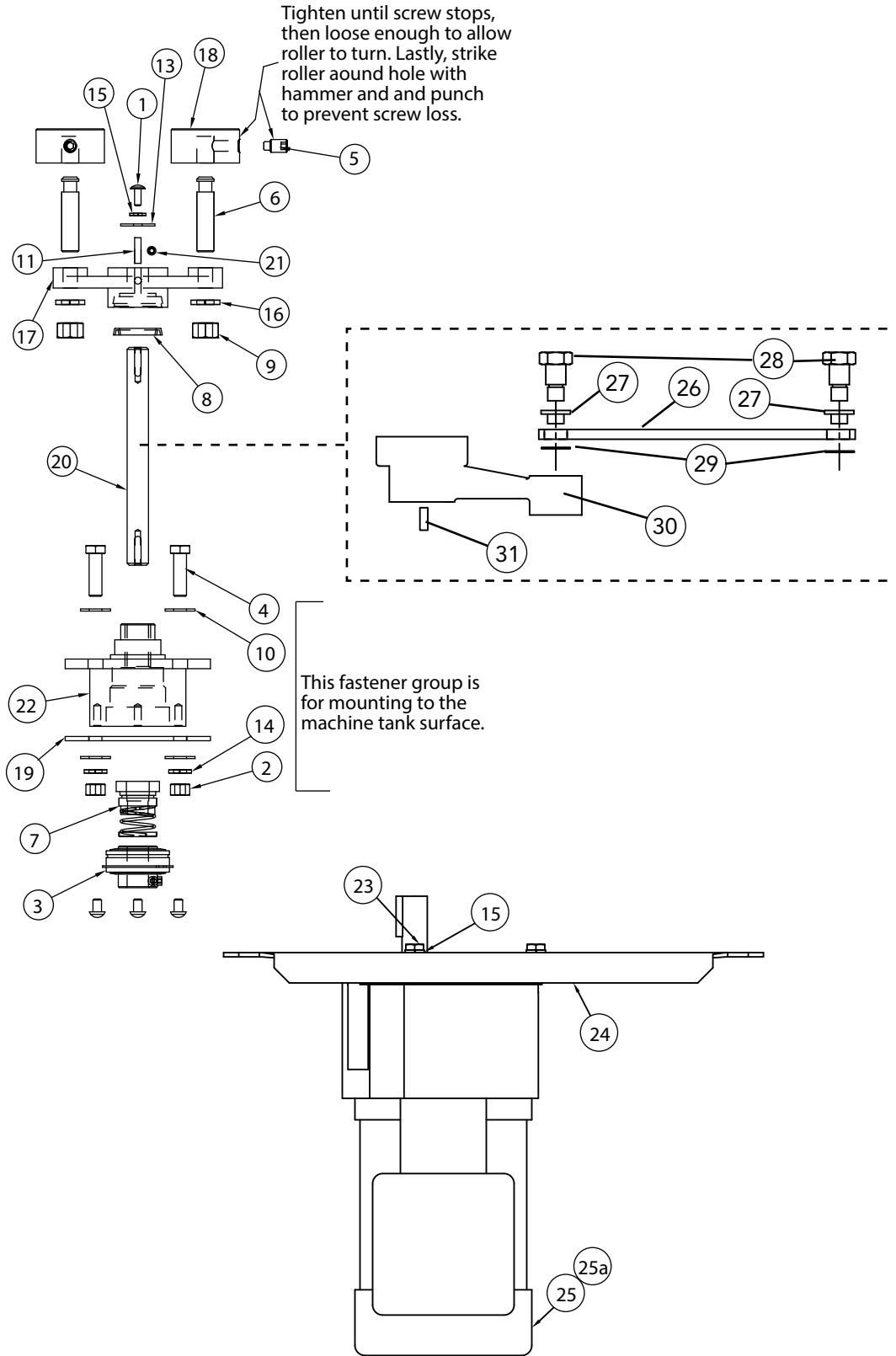
Conveyor Assembly (Beginning with S/N RP21013012)



Conveyor Assembly (Beginning with S/N RP21013012)

Item No.	Part No.	Description	Qty.
1	100003	HEX PLAIN NUT, 1/4-20 SST	24
2	100154	HEX PLAIN NUT, 5/16-18 SST	32
3	100734	BOLT, HEX HEAD 1/4-20 X 1/2" SST	24
4	100735	BOLT, HEX HEAD, 1/4-20 X 5/8" SST	4
5	104618	WASH, FLAT, 3/8"	28
6	104883	SCREW, ROUND HEAD, 6-32 X 3/8" SST	4
7	104971	HEX GRIP NUT, 6-32 SST	4
8	106013	WASHER, LOCK, 5/16" SPLIT, SST	4
9	106026	WASHER, FLAT, 1/4" SST	4
10	106198	HEX PLAIN JAM NUT, 5/16-18 SST	28
11	106474	SCREW, FLAT HEAD, 1/4-20 X 1-1/4" SST	8
12	106482	WASHER, LOCK 1/4" SPLIT SST	36
13	107033	WASHER, FLAT, SST	4
14	113692	BOLT SHOULDER 3/8" X 3/4" X 5/16-18 X 3/8" SST	2
15	113937	MAGNET, REED SWITCH	2
16	116333	BEARING, BLOCK, UHMW	4
17	116470	BOLT, SHOULDER 3/8" X 1/8" X 5/16-18 X 1/2" SST	2
18	337302	CROSSRAIL, SUPPORT, DEVP., PRO	4
19	337303	CROSSRAIL, DEVP., BEARING MOUNT, V2	2
20	337602-1	PAWL, FRONT, RL, PRO RACK, FAS	14
21	337602-2	PAWL, FRONT, LR, PRO RACK, FOP	14
22	338180-1	IDLE/FINAL RINSE LEVER, LR, M1 PRO RACK	2
23	339466	TRACK, WELD, 64 PRO, LH-RR OR RH-FR	2
24	339467	TRACK WELD, 64 PRO, LH-FR OR RH-RR	2
25	420570	PAWL BAR ASSY., ROLL DR, 64 PRO, LR-FR OR RL-RR	1
26	420571	PAWL BAR ASSY., ROLL DR, 64 PRO, LR-RR OR RL-FR	1
27	421213	PAWL BAR ASSY., 36" LH, PREWASH	1
27a	421215	VHR PAWL BAR ASSY., 36" LH PREWASH	1
28	421214	PAWL BAR ASSY., 36" RH, PREWASH	1
28a	421216	VHR PAWL BAR ASSY., 36" RH PREWASH	1
29	421211	PAWL BAR ASSY., 22" LH, PREWASH	1
29a	421191	VHR PAWL BAR ASSY., 22" LH PREWASH	1
30	421212	PAWL BAR ASSY., RH PREWASH	1
30a	421192	VHR PAWL BAR ASSY., 22" RH PREWASH	1
31	421189	PAWL BAR ASSY., ROLL DR, 64PRO-VHR, LR-FR OR RL-RR	1
32	421190	PAWL BAR ASSY., ROLL DR, 64PRO-VHR, LR-RR OR RL-FR	1

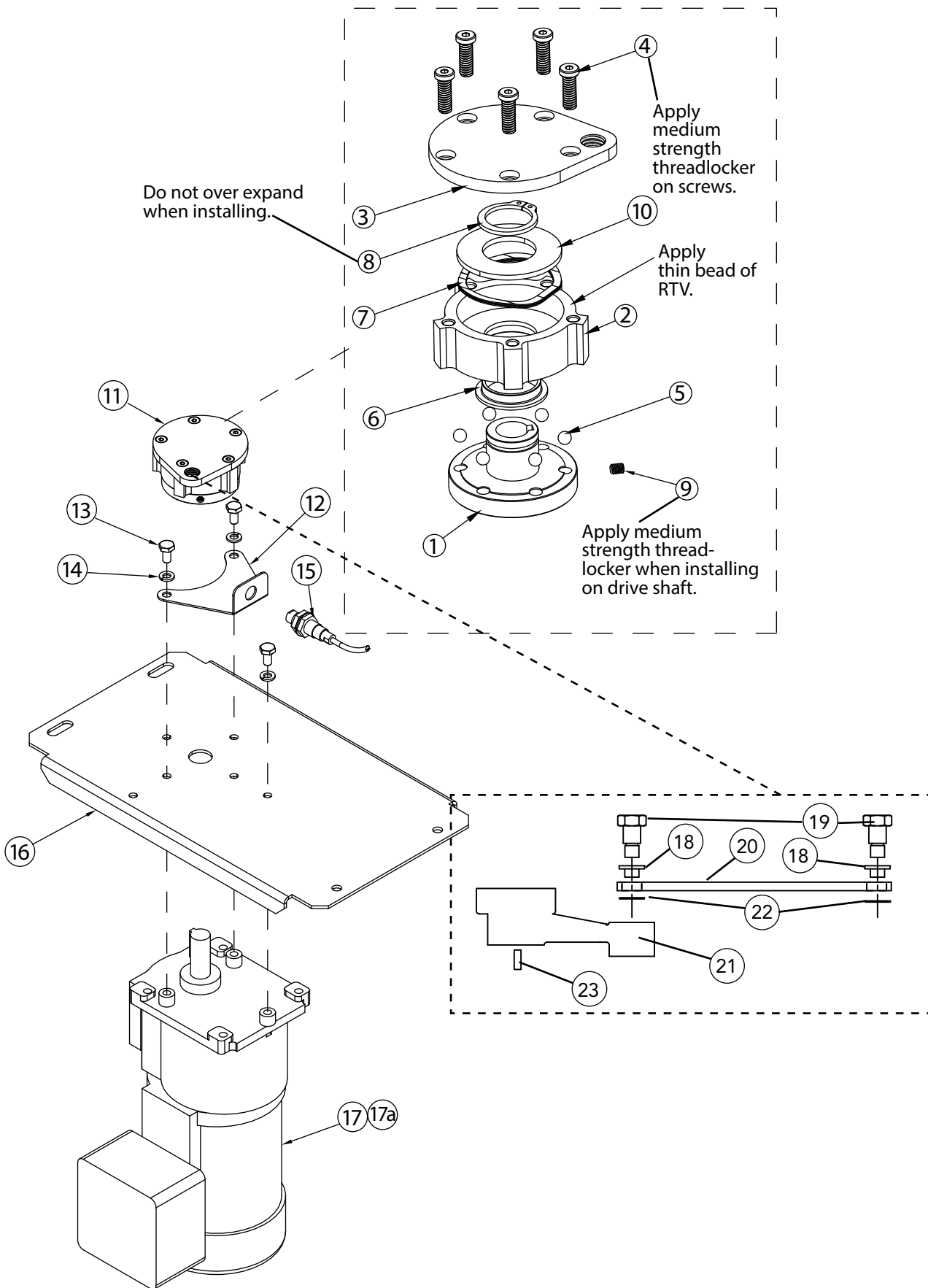
Continual Drive Assembly (Prior to S/N RP20012488)



Continual Drive Assembly (Prior to S/N RP20012488)

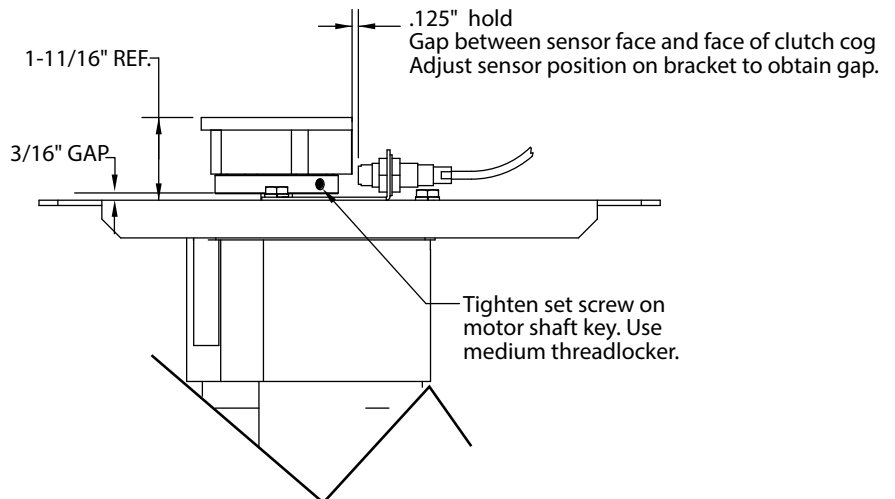
Item No.	Part No.	Description	Qty.
1	100097	SCREW, TRUSS HEAD, 10-32 X 1/2" SST	1
2	100140	HEX PLAIN NUT, 3/8-16 SST	4
3	100382	BEARING, RACK, DRIVE	1
4	100746	BOLT, HEX HEAD, 3/8-16 X 1-1/4" SST	4
5	100769	SCREW SET 3/8-16 X 3/4", DOG POINT	2
6	100868	ROLLER, STUD, CROSSHEAD	2
7	102244	SEAL, 5/8", 2-PIECE	1
8	103180	WIPER RING, CRANK, RACKS	1
9	104584	HEX PLAIN NUT, 1/2-13 SST	2
10	104618	WASHER, FLAT 3/8" SST	8
11	104916	KEY, 3/16" X 3/16" X 3/4" SST	1
12	104923	SCREW, ROUND HEAD, 1/4-20 X 3/8" SST	4
13	104925	WASHER, FLAT, 1/4" SST	1
14	106407	WASHER, LOCK, 3/8" SPLIT, SST	4
15	106482	WASHER, LOCK 1/4" SPLIT, SST	2
16	107589	WASHER, LOCK, 1/2" SPLIT, SST	1
17	116932	DRIVE, CRANK CASTING	2
18	202381	ROLLER, CROSSHEAD, RACK MACHINE	2
19	206303	GASKET, BEARING HOUSING	1
20	207430	SHAFT, DRIVE, V2 RACK	1
21	0501395	SET SCREW, 1/4-20 X 5/16" SST	1
22	B1074-1	BEARING, HOUSING, WITH BUSHING	1
23	100734	BOLT, HEX HEAD, 1/4-20 X 1/2" SST	3
24	339371	BRACKET, CONTINUAL DRIVE MTR. SUPPORT, 2-T	1
25	116810	GEARMOTOR, 1/6HP, MV/3PH, 27.2 RPM	A/R
25a	116908	GEARMOTOR, 1/6HP, 575/3PH, 27.2 RPM	A/R
26	337082	LINKAGE, DRIVE	1
27	116364	BUSHING, BRONZE OIL, 5/8" X 7/8" 1/2" LG, FLG	2
28	116638	BOLT, SHOULDER, 5/8" X 5/8" X 1/2-13 SST HEX HEAD	2
29	104882	WASHER	2
30	202386	CRANK, SST MACHINED	1
31	104915	KEY, 3/16" X 3/16" X 1-1/4"	1

Clutch Style Continual Drive Assembly (Beginning with S/N RP20012488)

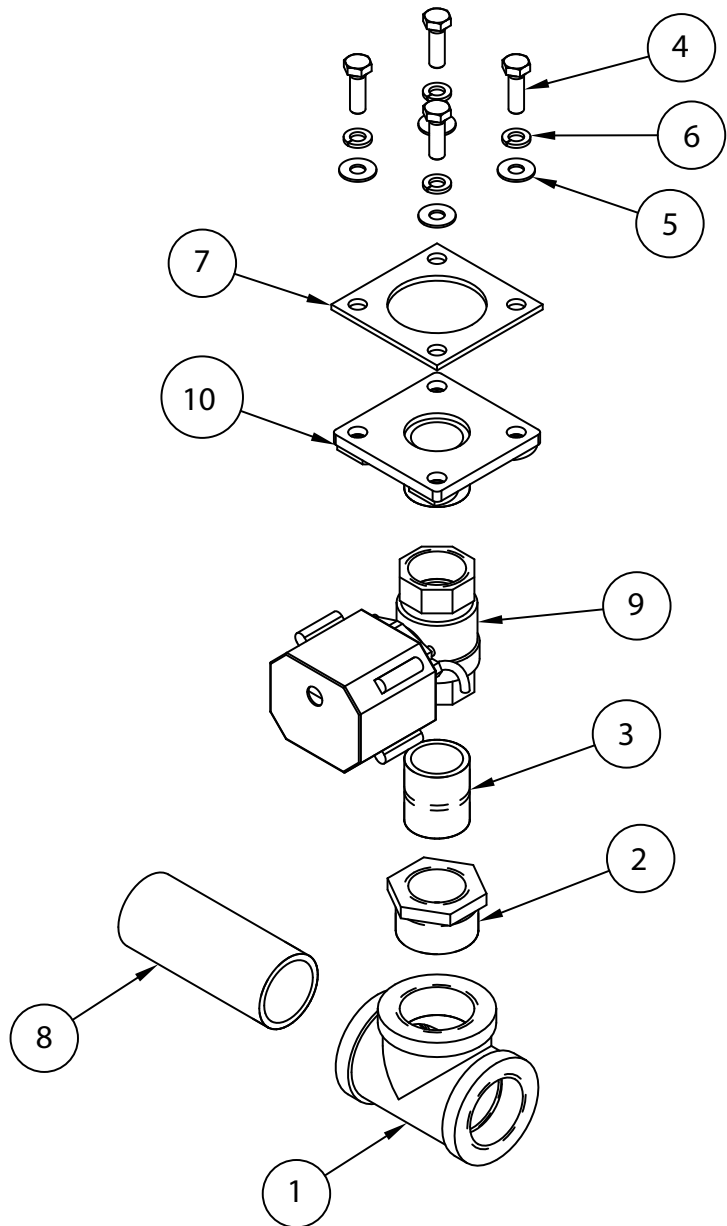


Clutch Style Continual Drive Assembly (Beginning with S/N RP20012488)

Item No.	Part No.	Description	Qty.
1	117044	DRIVE CLUTCH, LOWER HUB	1
2	117045	DRIVE CLUTCH, OUTER HUB	1
3	117046	CLUTCH LINKAGE	1
4	117050	LOW PROFILE BOLT, 1/4-20, SST	5
5	117051	.250" 440C BEARING, BALL	6
6	117052	GFI-1618-04, IGUS BEARING	1
7	117109	DRIVE CLUTCH, SMALLEY WAVE SPRING	1
8	117110	RETAINING RING, DRIVE CLUTCH	1
9	117111	SET SCREW, 10-32 SS NON-MARING	1
10	339623	PRO-DRIVE CLUTCH SPRING RETAINER	1
11	454231	PRO DRIVE CLUTCH	1
12	339377	DRIVE CLUTCH SENSOR BRACKET	1
13	100734	BOLT, HEX HEAD, 1/4-20 X 1/2" SST	3
14	106482	WASHER, LOCK, 1/4" SPLIT SST	3
15	117108	SENSOR, PROXIMITY	1
16	338708	BRACKET, CONTINUAL DRIVE MTR. SUPPORT	1
17	116810	GEARMOTOR, 1/6HP, MV/3PH, 27.2 RPM	A/R
17a	116908	GEARMOTOR, 1/6HP, 575/3PH, 27.2 RPM	A/R
18	116364	BUSHING, 5/8" X 7/8" X 1/2" LG. FL	2
19	116638	BOLT, SHOULDER, 5/8" X 5/8" X 1/2-13 SST HEX HEAD	2
20	337082	LINKAGE, DRIVE	1
21	202386	CRANK, SST MACHINED	1
22	104882	WASHER	2
23	104915	KEY, 3/16" X 3/16" X 1-1/4"	1

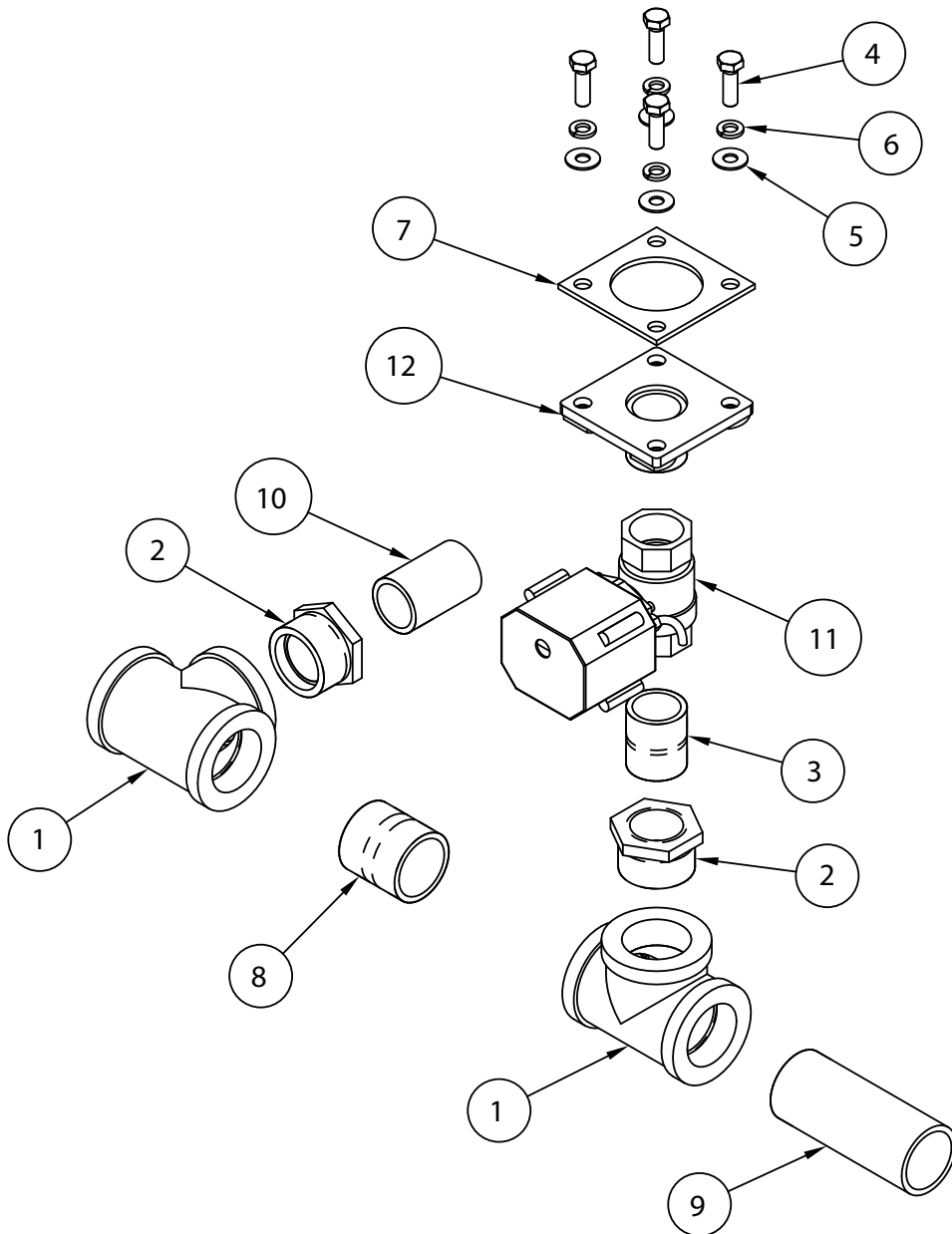


Power Rinse Drain Assembly



Item No.	Part No.	Description	Qty.
1	100510	TEE, 1-1/4" NPT, SST	1
2	100535	BUSHING, REDUCING, 1-1/4" NPT X 1" NPT SST	1
3	100694	NIPPLE, 1" NPT X CLOSE SST	1
4	100740	BOLT HEX HEAD, 5-16/18 X 1" SST	4
5	102376	WASHER, FLAT 5/16" SST	4
6	106013	WASHER, LOCK 5/16" SPLIT SST	4
7	108345	GASKET 3" X 3" 1/8", 2" HOLE	1
8	115205	NIPPLE, TOE, 1-1/4" NPT X 4" LG. SST	1
9	117014	VALVE BALL, 1" NPT , BRASS, 110-230V ELECTRIC NC	1
10	207802	DRAIN, FLANGE, 1" MNPT, CAST SST	1

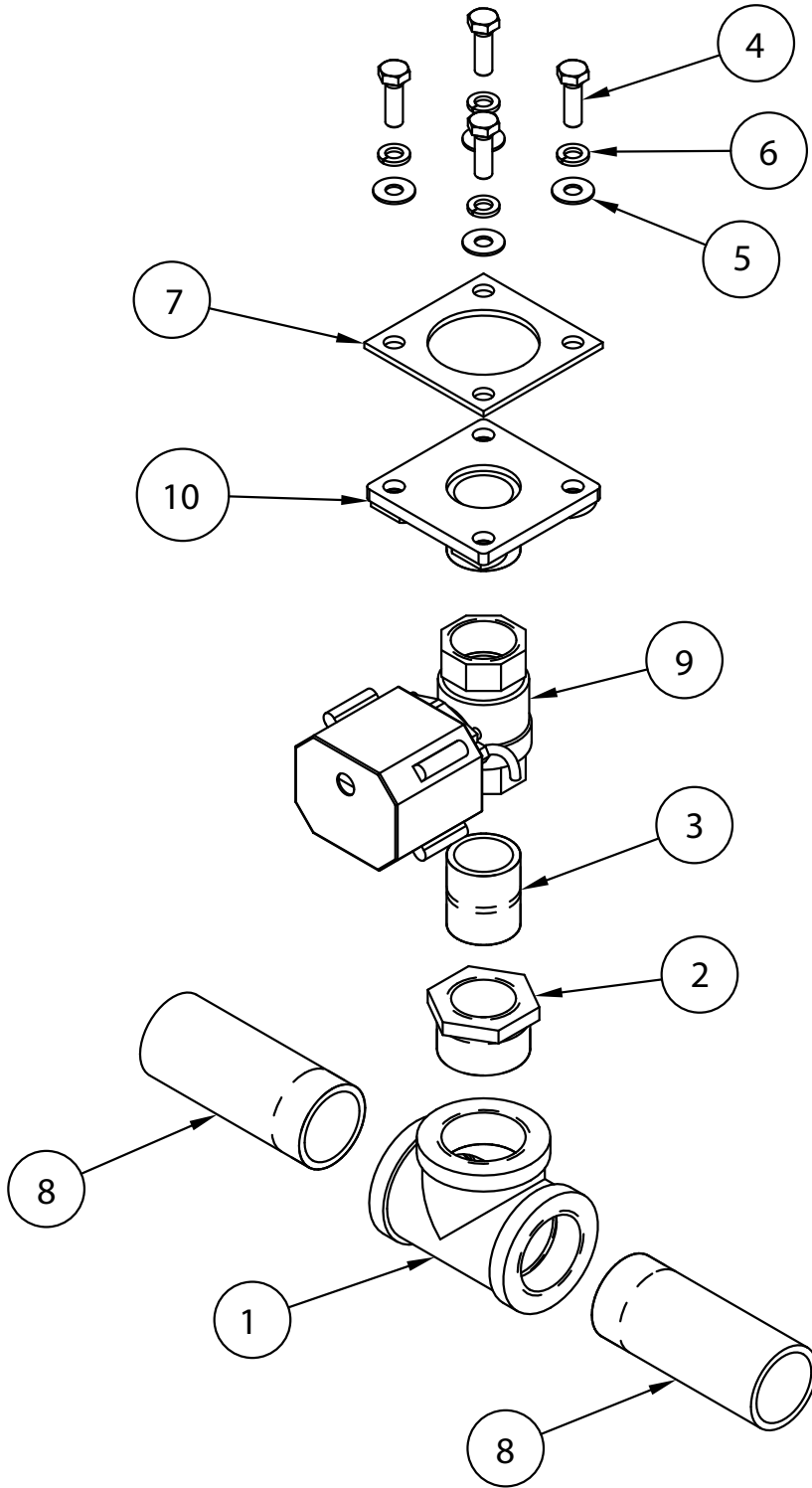
Wash Tank Drain Assembly without Prewash



Wash Tank Drain Assembly without Prewash

Item No.	Part No.	Description	Qty.
1	100510	TEE, 1-1/4" NPT SST	2
2	100535	BUSHING, REDUCING, 1-1/4" NPT X 1" NPT SST	2
3	100694	NIPPLE, 1" NPT X CLOSE SST	1
4	100740	BOLT HEX HEAD, 5/16-18 X 1" SST	4
5	102376	WASHER, FLAT 5/16" SST	4
6	106013	WASHER, LOCK, 5/16" SPLIT SST	4
7	108345	GASKET, 3" X 3" X 1/8" 2" HOLE	1
8	111971	NIPPLE, 1-1/4" NPT X CLOSE, SST	1
9	115205	NIPPLE, TOE, 1-1/4"NPT X 4" LG. SST	1
10	116431	NIPPLE, TOE, 1" NPT X 2" LG. SST	1
11	117014	VALVE BALL, 1" NPT, BRASS 110-230V ELECTRIC NC	1
12	207802	DRAIN, FLANGE, 1" MNPT, CAST SST	1

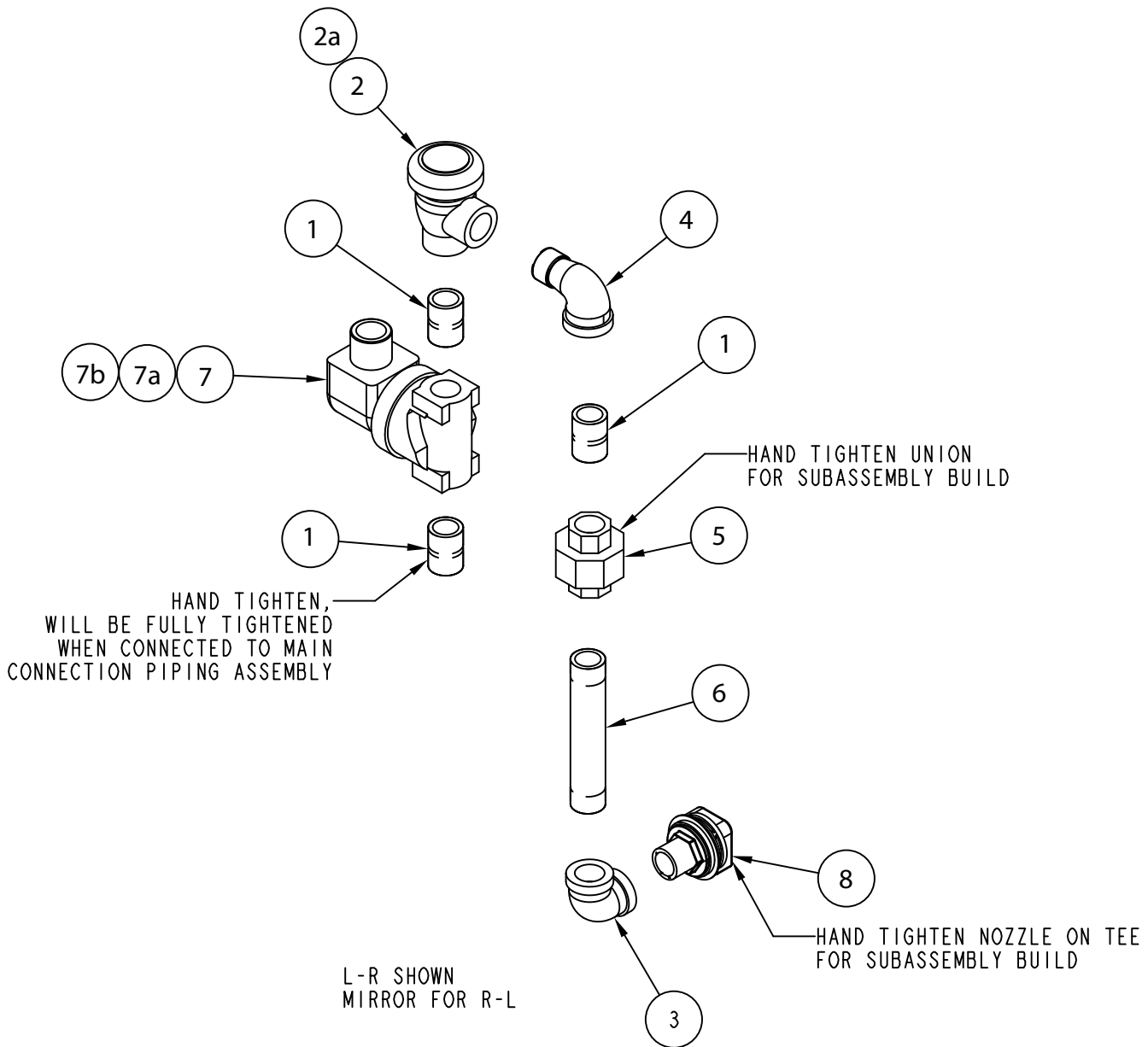
Wash Tank Drain Assembly with Prewash



Wash Tank Drain Assembly with Prewash

Item No.	Part No.	Description	Qty.
1	100510	TEE, 1-1/4" NPT SST	1
2	100535	BUSHING, REDUCING, 1-1/4" NPT X 1" NPT SST	1
3	100694	NIPPLE, 1" NPT X CLOSE SST	1
4	100740	BOLT HEX HEAD, 5/16-18 X 1" SST	4
5	102376	WASHER, FLAT 5/16" SST	4
6	106013	WASHER, LOCK, 5/16" SPLIT SST	4
7	108345	GASKET, 3" X 3" X 1/8" 2" HOLE	1
8	115205	NIPPLE, TOE, 1-1/4" NPT X 4" LG. SST	2
9	117014	VALVE, BALL 1" NPT BRASS, 110-230V ELECTRIC NC	1
10	207802	DRAIN, FLANGE, 1" MNPT, CAST SST	1

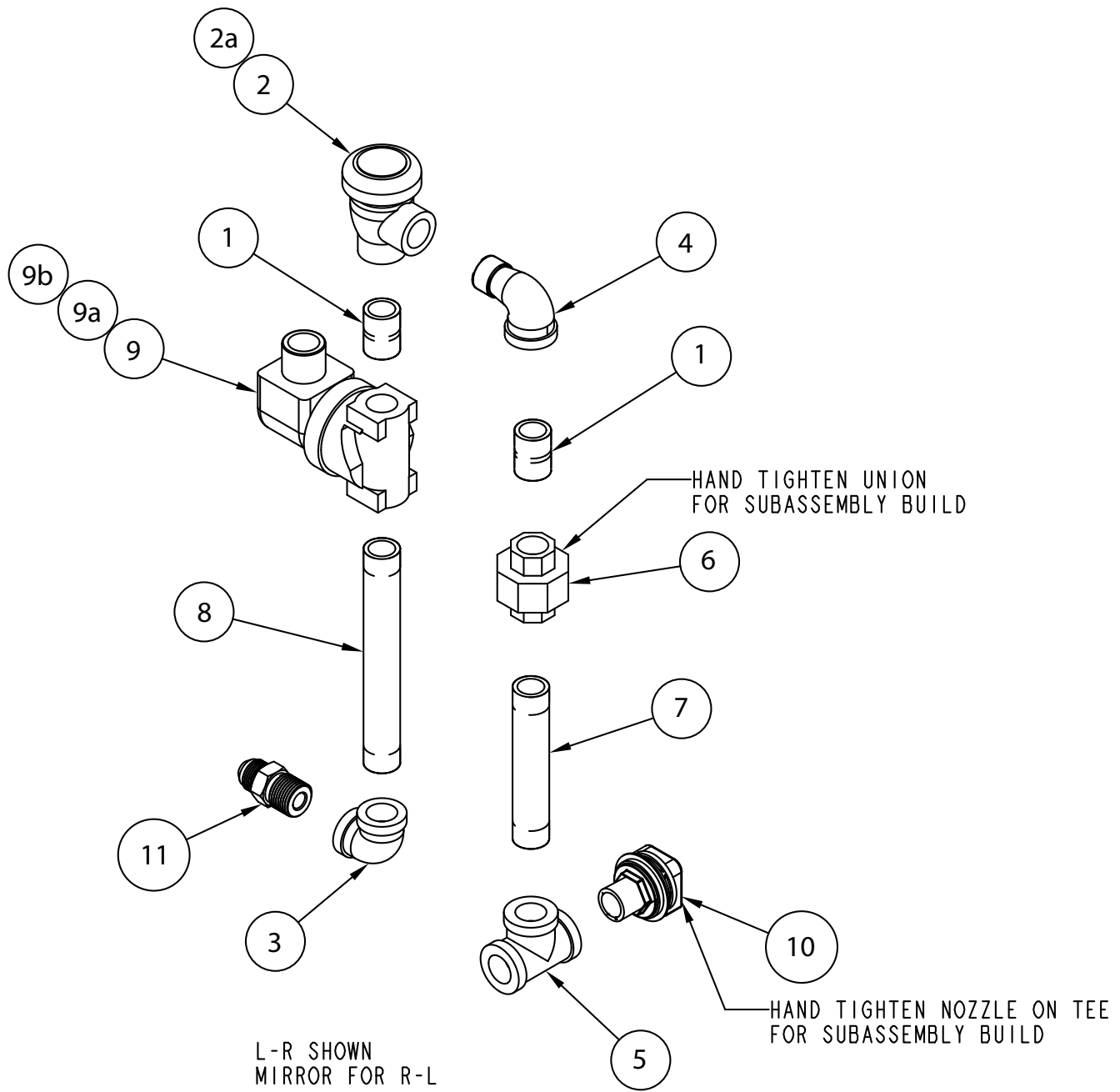
64PRO Power Rinse Fill Assembly (Prior to S/N RP20112924)



64 PRO Power Rinse Fill Assembly (Prior to S/N RP20112924)

Item No.	Part No.	Description	Qty.
1	100209	NIPPLE, 1/2" NPT X CLOSE, BRASS	3
2	100500	VACUUM BREAKER, 1/2" NPT BRONZE	1
2a	900836	KIT, REPAIR VACUUM BREAKER, 1/2"	A/R
3	102435	ELBOW, 1/2" NPT X 90°, BRASS	1
4	102438	ELBOW, STREET, 1/2" NPT X 90°, BRASS	1
5	102549	UNION, 1/2" NPT, BRASS	1
6	102571	NIPPLE, 1/2" NPT X 4-1/4" LG., BRASS	1
7	109886	VALVE, SOLENOID, 1/2" NPT, HW PARKER	1
7a	109902	KIT, REPAIR VALVE, 1/2"	A/R
7b	108516	COIL, SOLENOID VALVE 120VAC	A/R
8	111325	NOZZLE, FLUSH-N POLISHED CHROME	1
---	602475-LR	FILL PIPING ASSY., POWER RINSE, L-R, (Includes Items 1-8)	
---	602475-RL	FILL PIPING ASSY., POWER RINSE, R-L, (Includes Items 1-8)	

64 PRO Wash Fill Assembly (Prior to S/N RP20112924)

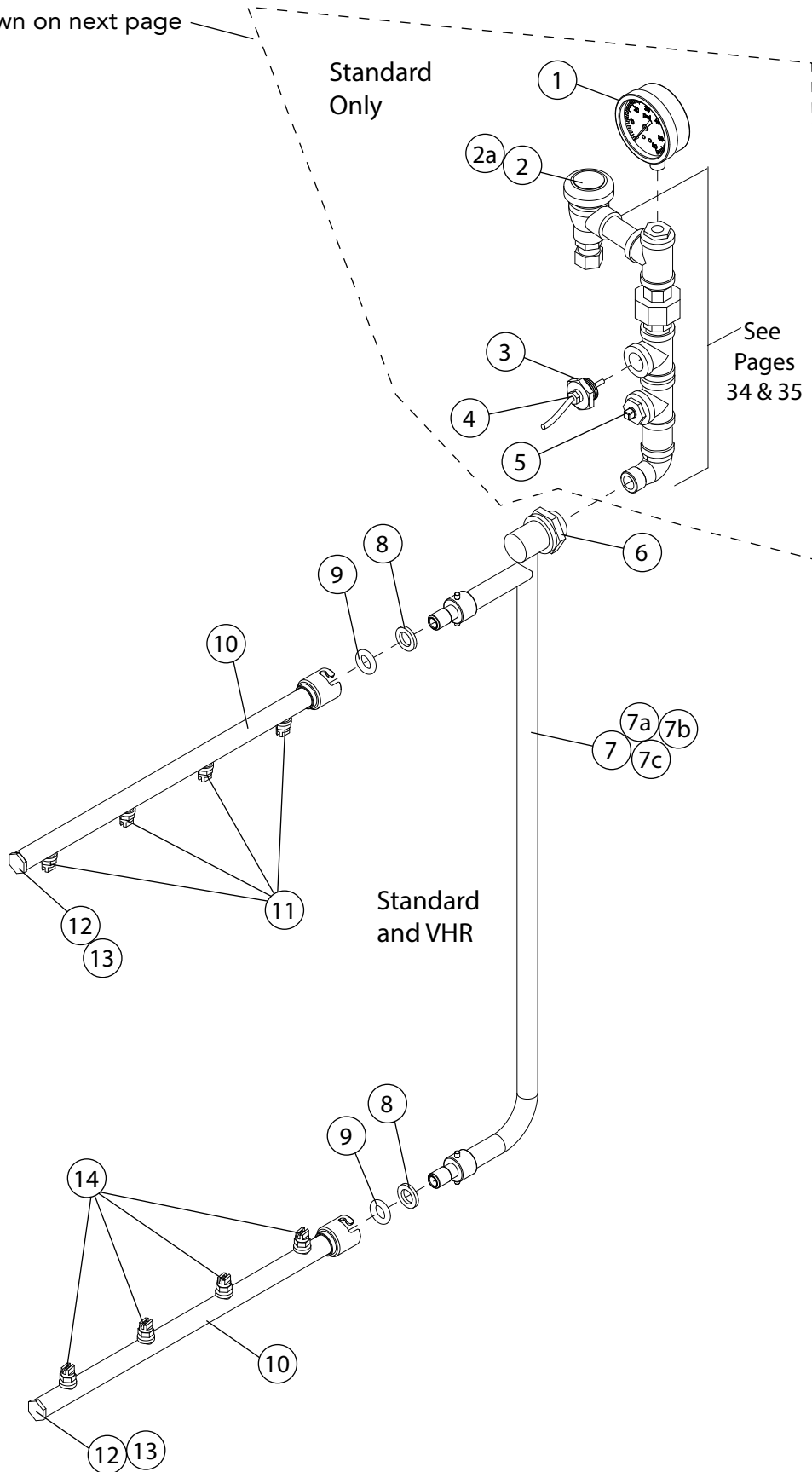


Wash Fill Assembly (Prior to S/N RP20112924)

Item No.	Part No.	Description	Qty.
1	100209	NIPPLE, 1/2" NPT X CLOSE, BRASS	2
2	100500	VACUUM BREAKER, 1/2" NPT BRONZE	1
2a	900836	KIT, REPAIR VACUUM BREAKER, 1/2"	A/R
3	102435	ELBOW, 1/2" NPT X 90°, BRASS	1
4	102438	ELBOW, STREET, 1/2" NPT X 90°, BRASS	1
5	102514	TEE, 1/2" NPT, BRASS	1
6	102549	UNION, 1/2" NPT BRASS	1
7	102571	NIPPLE, 1/2" NPT X 4-1/4" LG., BRASS	1
8	102578	NIPPLE, 1/2" NPT X 6" LG., BRASS	1
9	109886	VALVE, SOLENOID, 1/2" NPT, HW PARKER	1
9a	109902	KIT, REPAIR VALVE, 1/2"	A/R
9b	108516	COIL, SOLENOID VALVE 120VAC	A/R
10	111325	NOZZLE, FLUSH-N POLISHED CHROME	1
11	115101	CONNECTOR, MALE, 1/2" NPT X 1/2" 37D FLARE JIC BRASS	1
---	602474-LR	FILL PIPING ASSY., WASH, L-R (Includes Items 1-11)	
---	602474-RL	FILL PIPING ASSY., WASH, R-L (Includes Items 1-11)	

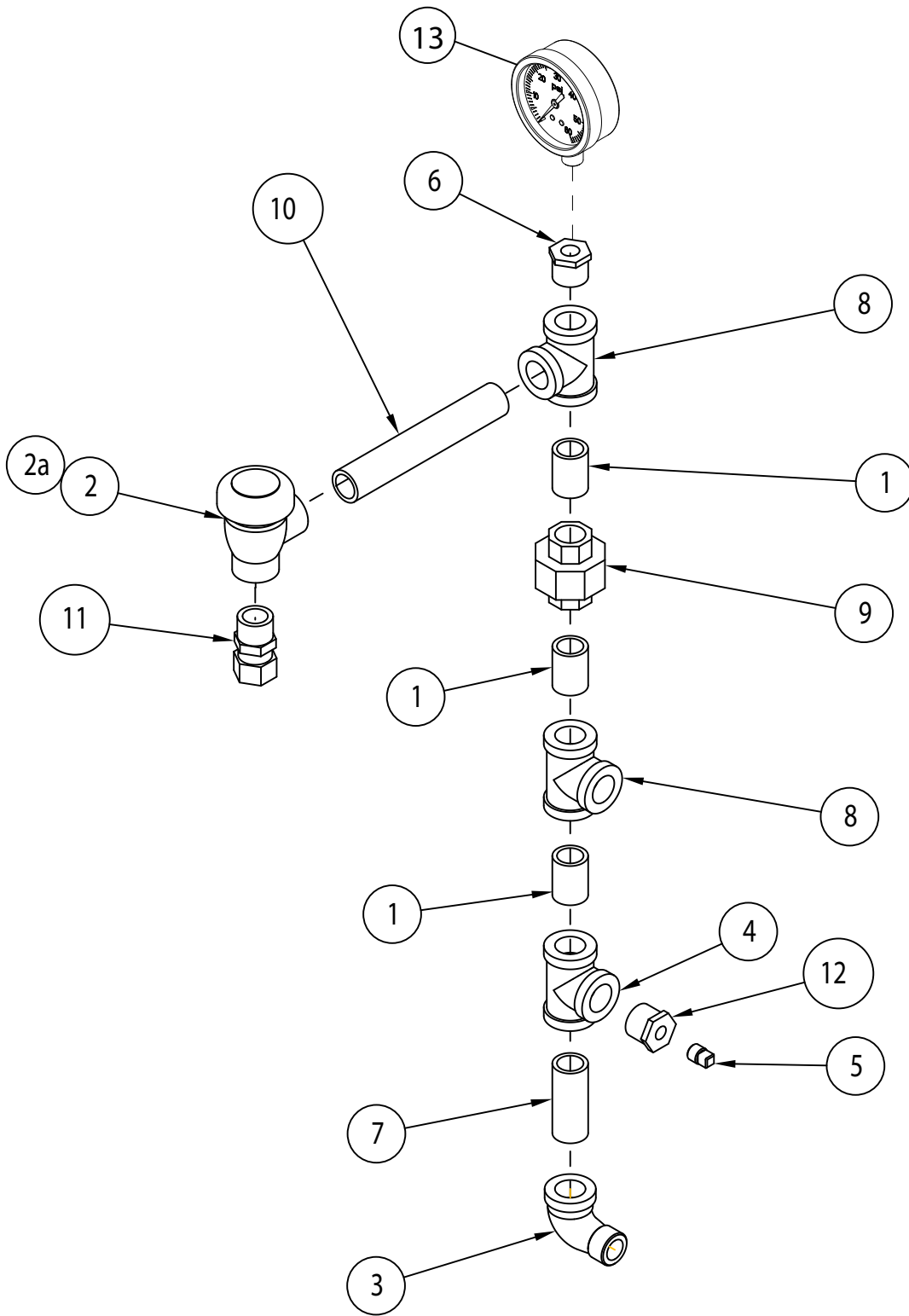
L-R Final Rinse Assembly (All S/Ns)

Parts breakdown on next page



Item No.	Part No.	Description	Qty.
1	100135	GAUGE, PRESSURE, 0-60 PSI	1
2	100500	BREAKER, VACUUM 1/2" NPT BRONZE	1
2a	900836	KIT, REPAIR, VACUUM BREAKER 1/2"	A/R
3	0512299	ADAPTER	1
4	114435	THERMISTOR, 10K Ω , 36" LEAD	1
5	101259	PLUG, 1/8" NPT, SQ. HEAD, BRASS	1
6	100156	LOCKNUT, 3/4" NPT BRASS	1
7	338340	MANIFOLD, STANDARD FINAL RINSE, LR	1
7a	338341	MANIFOLD, STANDARD FINAL RINSE, RL	1
7b	338342	MANIFOLD, HIGH HOOD FINAL RINSE, LR	1
7c	338343	MANIFOLD, HIGH HOOD FINAL RINSE, RL	1
8	114291	WASHER, SILICONE	2
9	114290	O-RING	2
10	337056	ARM, FINAL RINSE	2
11	111938	NOZZLE, FINAL RINSE 8004	4
12	113795	PLUG, RINSE ARM	2
13	113716	O-RING	2
14	114181	NOZZLE, FINAL RINSE 8002	4

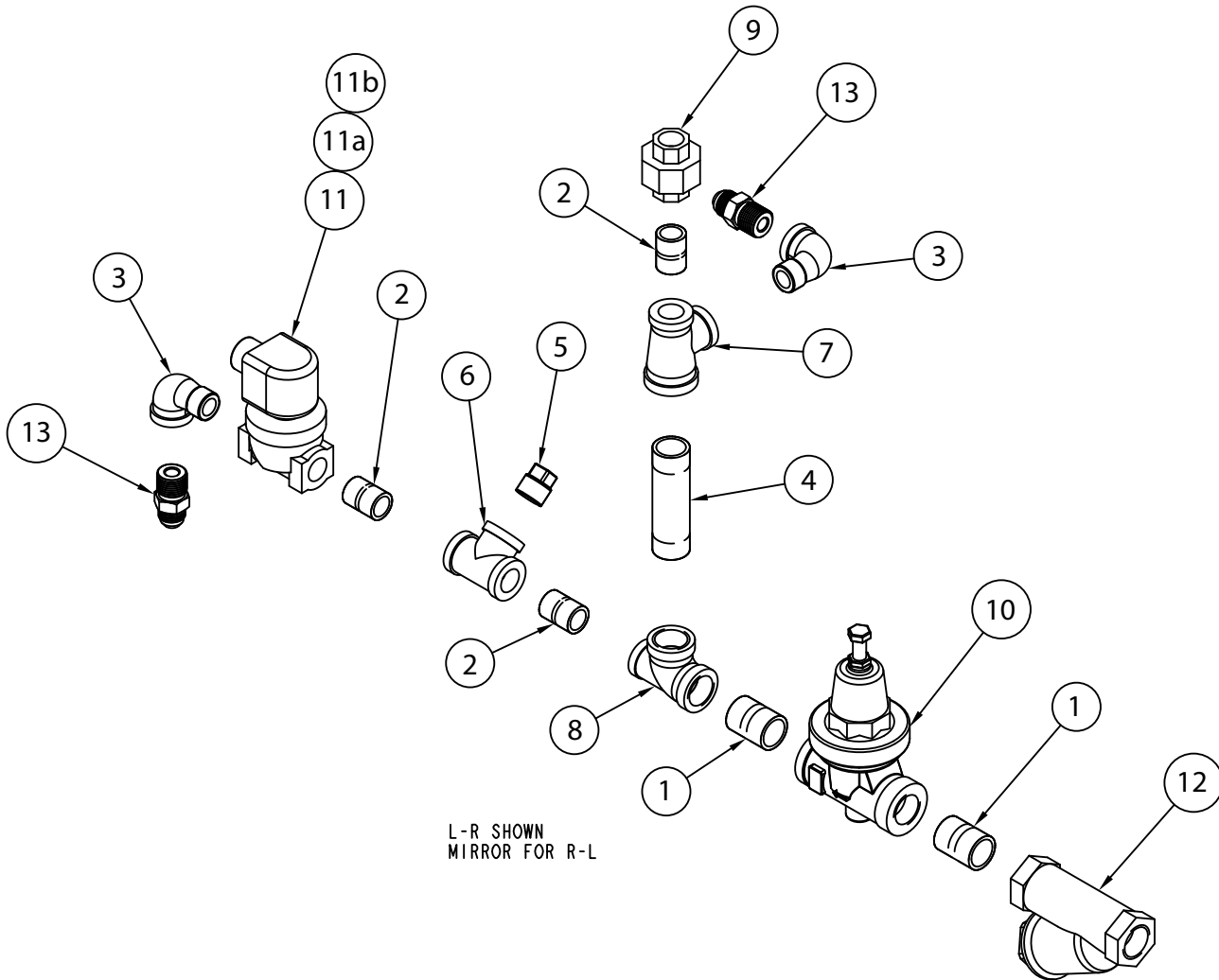
64 PRO L-R Final Rinse Piping Assembly (All S/N's)



64 PRO L-R Final Rinse Piping Assembly (All S/N's)

Item No.	Part No.	Description	Qty.
1	100209	NIPPLE, 1/2' NPT X CLOSE, BRASS	4
2	100500	BREAKER, VACUUM, 1/2" NPT BRONZE	1
2a	900836	KIT, REPAIR 1/2" VACUUM BREAKER	A/R
3	100516	STREET, ELBOW, 1/2" NPT X 90° SST	
4	100554	TEE, 1/2" NPT SST	1
5	101259	PLUG, 1/8" NPT SQ. HEAD BRASS	1
6	102388	BUSHING, REDUCING, 1/2" NPT X 1/4" NPT, BRASS	1
7	102412	COUPLING, 1/2" NPT BRASS	1
8	102463	NIPPLE, 1/2" NPT X 3" LG., SST	1
9	102514	TEE, 1/2" NPT , BRASS	2
10	102549	UNION, 1/2" NPT, BRASS	1
11	102578	NIPPLE, 1/2" NPT X 6" LG., BRASS	1
12	114517	BUSHING, REDUCING, 1/2" NPT X 1/8" NPT, SST	1
13	115101	COUPLING, MALE, 1/2" NPT X 1/2" 37D FLARE JIC	
---	602435-LR	PIPING ASSY., FINAL RINSE, PRO L-R (Includes Items 1-13)	1
---	602435-RL	PIPING ASSY., FINAL RINSE, PRO R-L (Includes Items 1-13)	1

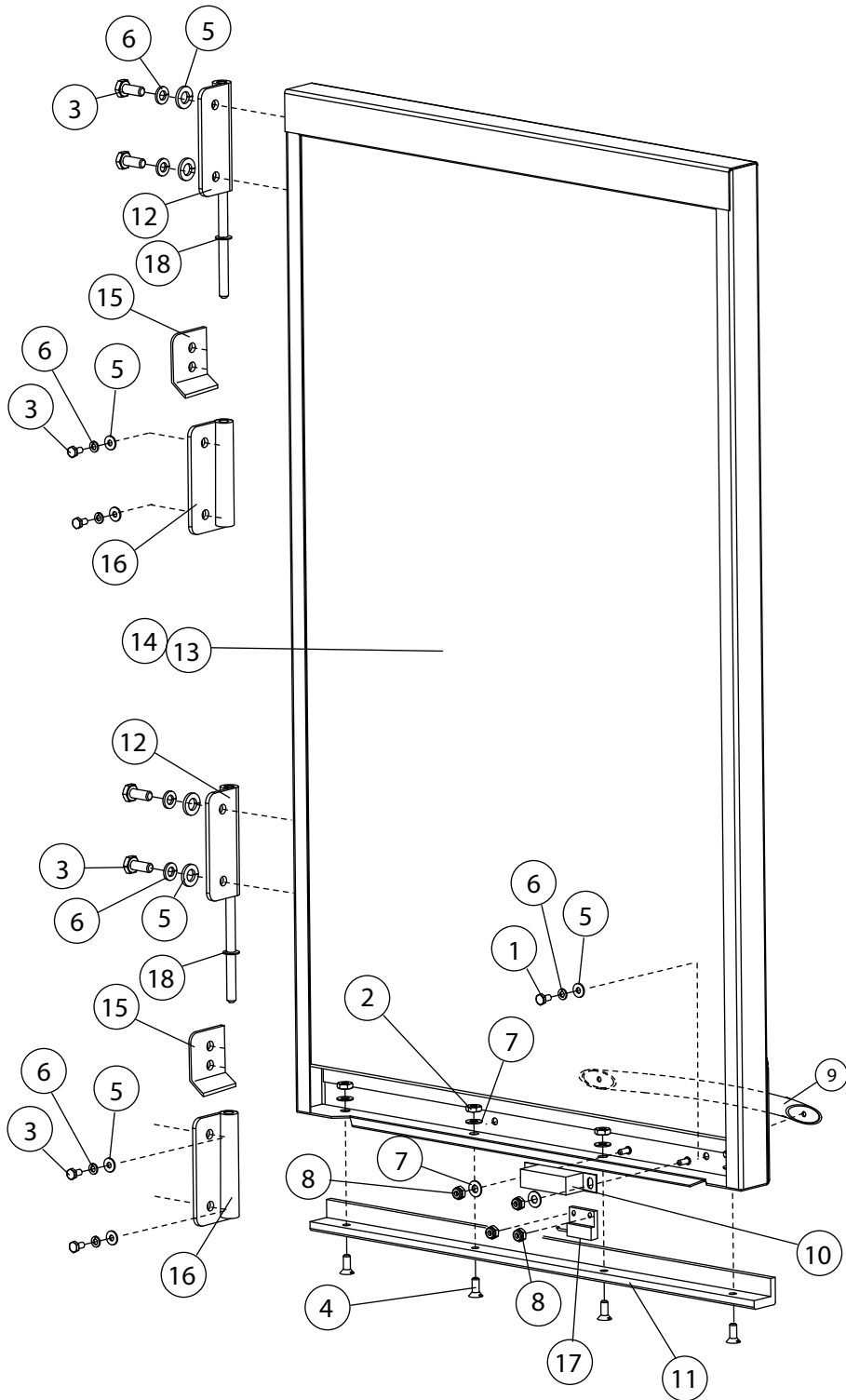
64 PRO L-R Main Connect Piping Assembly (Prior to S/N RP20112924)



64PRO L-R Main Connect Piping Assembly (Prior to S/N RP20112924)

Item No.	Part No.	Description	Qty.
1	100184	NIPPLE, 3/4" NPT X CLOSE, BRASS	2
2	100209	NIPPLE, 1/2" NPT X CLOSE, BRASS	3
3	102438	ELBOW, STREET , 1/2" NPT 90° BRASS	2
4	102490	NIPPLE, 3/4" NPT X 3-1/2" LG., BRASS	1
5	102504	PLUG, 1/2" NPT SQ. HEAD, BRASS	1
6	102514	TEE, 1/2" NPT, BRASS	1
7	102524	TEE, RED, 3/4" NPT X 1/2" NPT X 1/2" NPT, BRASS	1
8	102525	TEE, RED, 3/4" NPT X 1/2" NPT X 3/4" NPT BRASS	1
9	102549	UNION, 1/2" NPT BRASS	1
10	107550	VALVE, PRESSURE REDUCING, 3/4" NPT BRONZE	1
11	109886	VALVE, SOLENOID, 1/2" NPT, HW, PARKER	1
11a	109902	KIT, REPAIR VALVE, 1/2"	A/R
11b	108516	COIL, SOLENOID VALVE 120VAC	A/R
12	110768	STRAINER, LINE, 3/4" NPT BRASS	1
13	115101	CONNECTOR, MALE, 1/2" NPT X 1/2" 37D FLARE JIC BRASS	2
---	602461-LR	MAIN CONNECT PIPING ASSY., L-R, (Includes Items 1-13)	
---	602461-RL	MAIN CONNECT PIPING ASSY., R-L, (Includes Items 1-13)	

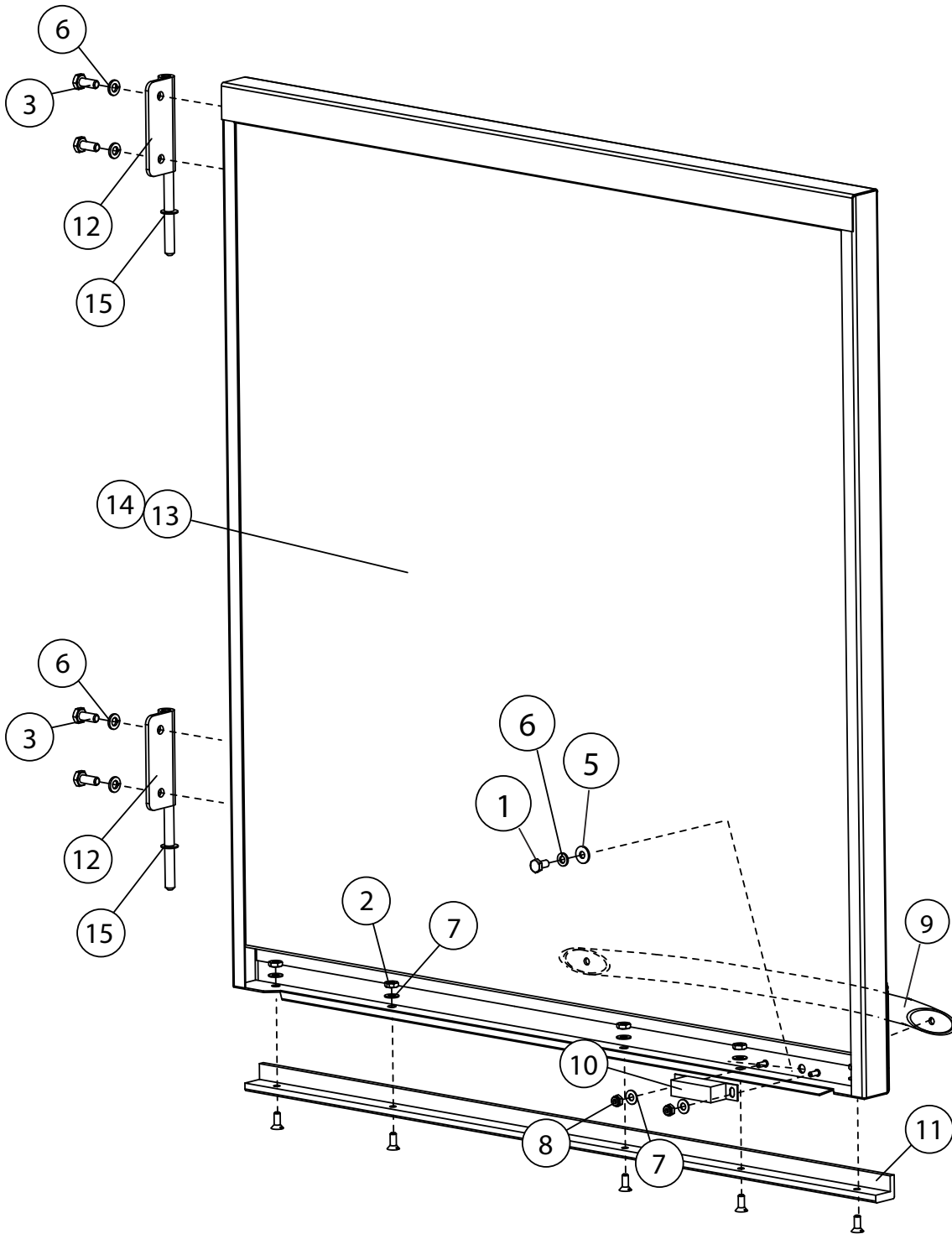
22" Prewash Door Assembly



22" Prewash Door Assembly

Item No.	Part No.	Description	Qty.
1	100734	BOLT, HEX HEAD, 1/4-20 X 1/2" SST	2
2	100194	NUT, HEX GRIP 10-32 SST	4
3	100734	BOLT, HEX HEAD 1/4-20 X 1/2" SST	4
4	100754	SCREW, FLAT HEAD 10-32 X 1/2" SST	4
5	106026	WASHER, FLAT 1/4" SST	2
6	106482	WASHER, LOCK 1/4" SPLIT SST	6
7	107033	WASHER, FLAT SST	6
8	108954	NUT, GRIP 6-32 SST W/NYLON INSERT	2
9	115665	HANDLE, DOOR	1
10	113937	MAGNET, REED SWITCH	1
11	116175	STRIP, WEAR BOTTOM DOOR, E22 PREWASH	1
12	335152	HINGE, DOOR WELDMENT, RH	2
13	337199	DOOR, 22" HINGED STANDARD HOOD	1
14	338042	DOOR, 22", HINGED HIGH HOOD	1
15	335977	STOP, HINGED DOOR REMOVAL	2
16	335154	HINGE, DOOR HOOD	2
17	113721	SWITCH, REED, DOOR SAFETY	1
18	116230	WASHER, FLAT	2

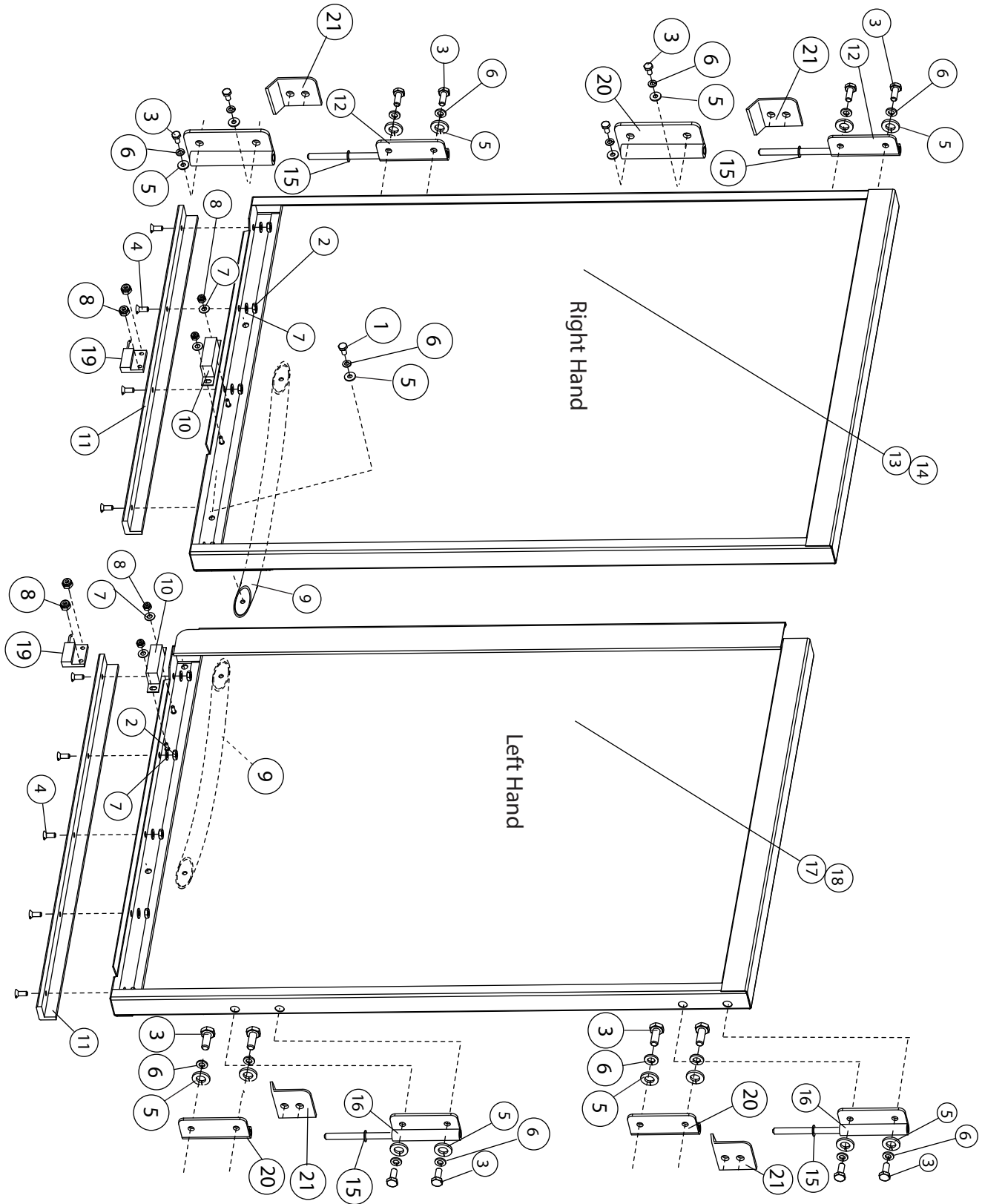
36" Prewash Door Assembly



36" Prewash Door Assembly

Item No.	Part No.	Description	Qty.
1	100734	SCREW, TRUSS HEAD, 1/4-20 X 1/2" SST	6
2	100194	NUT, HEX GRIP 10-32 SST	12
3	100735	BOLT, HEX HEAD 1/4-20 X 5/8" SST	8
4	100754	SCREW, FLAT HEAD 10-32 X 1/2" SST	12
5	106026	WASHER, FLAT 1/4" SST	6
6	106482	WASHER, LOCK 1/4" SPLIT SST	6
7	107033	WASHER, FLAT 0.208" SST	7
8	108954	NUT, HEX GRIP 6-32 SST W/NYLON INSERT	2
9	115665	HANDLE, DOOR	1
10	113937	MAGNET, REED SWITCH	1
11	116177	STRIP, WEAR BOTTOM DOOR	1
12	335152	HINGE, DOOR	2
13	337865	DOOR, 36", RH, STANDARD HOOD	1
14	339642	DOOR 36", RH HIGH-HOOD	1
15	116230	WASHER, FLAT UHMW	2

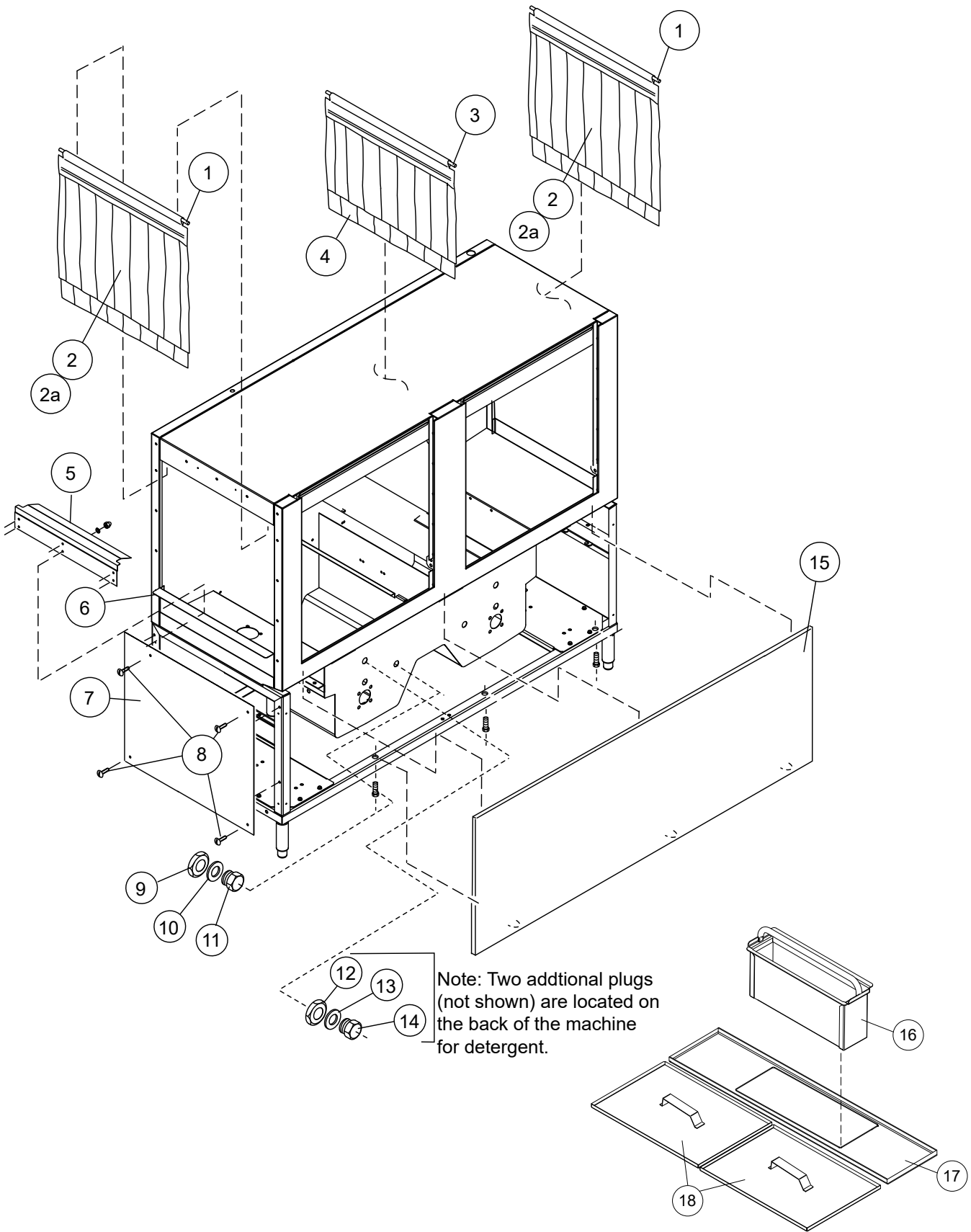
Wash Tank/Power Rinse Tank Door Assembly



Wash Tank/Power Rinse Tank Door Assembly

Item No.	Part No.	Description	Qty.
1	100734	BOLT, HEX HEAD, 1/4-20 X 1/2" SST	4
2	100194	NUT, GRIP 10-32 SST	9
3	100735	BOLT, HEX HEAD 1/4-20 X 5/8" SST	8
4	100754	SCREW, FLAT HEAD 10-32 X 1/2" SST	9
5	106026	WASHER, FLAT 1/4" SST	19
6	106482	WASHER, LOCK 1/4" SPLIT SST	19
7	107033	WASHER, FLAT SST	13
8	108954	NUT, GRIP 6-32 SST W/NYLON INSERT	8
9	115665	HANDLE, DOOR	2
10	113937	MAGNET, REED SWITCH	2
11	116177	STRIP, WEAR BOTTOM DOOR	2
12	335152	HINGE, RH DOOR WELDMENT	2
13	337865	DOOR, RH STANDARD HOOD	1
14	339642	DOOR, RH HIGH HOOD	1
15	116230	WASHER, UHMW	4
16	335151	HINGE, LH DOOR WELDMENT	2
17	338280	DOOR, LH HINGED, STANDARD HOOD	1
18	339641	DOOR, LH HINGED, HIGH HOOD	1
19	113721	SWITCH, REED DOOR SAFETY	1
20	335154	HINGE, HOOD SIDE	4
21	335977	STOP, HINGED DOOR REMOVAL	4

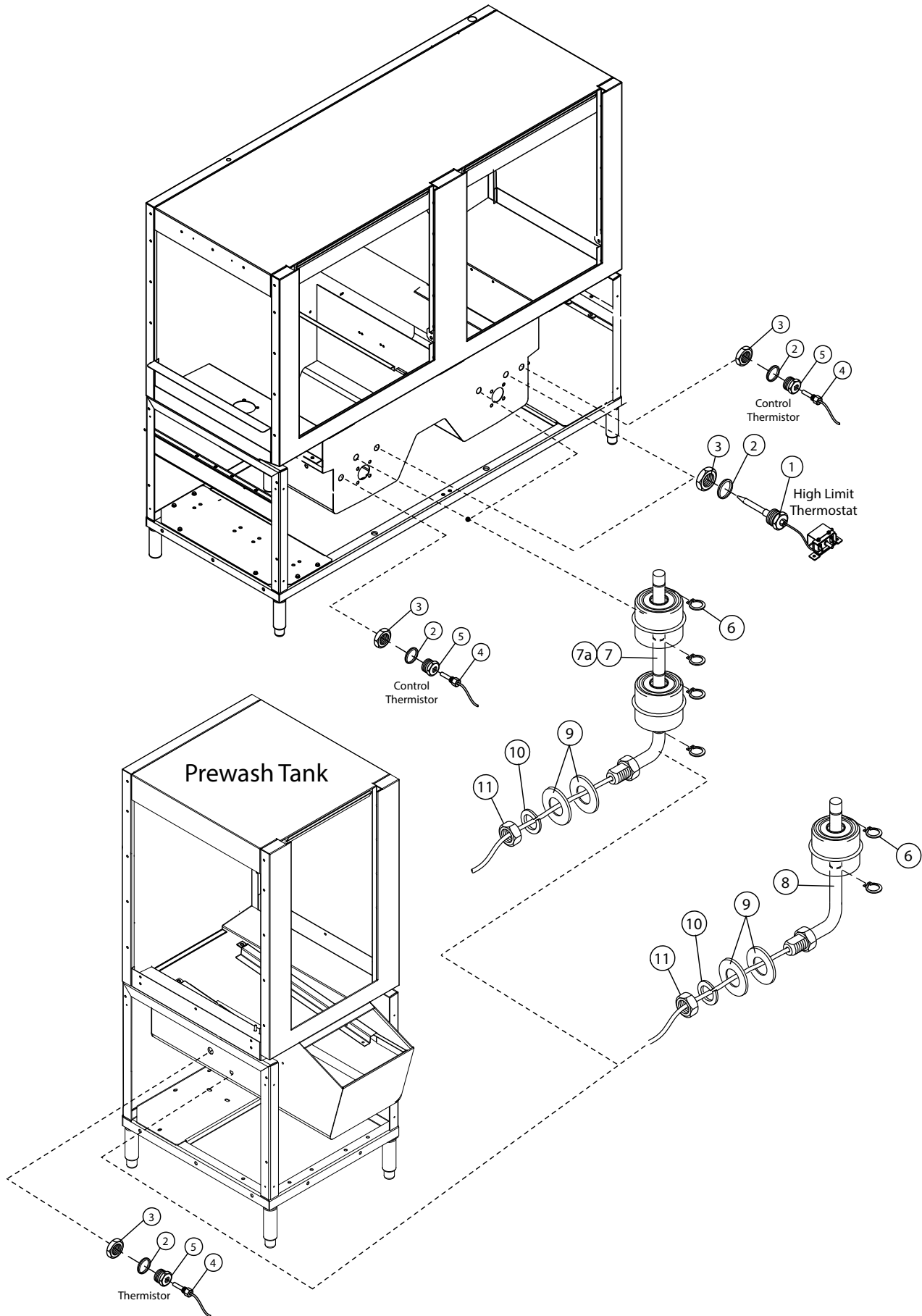
Wash Tank Panels, Curtains, and Screens



Wash Tank Panels, Curtains, and Screens

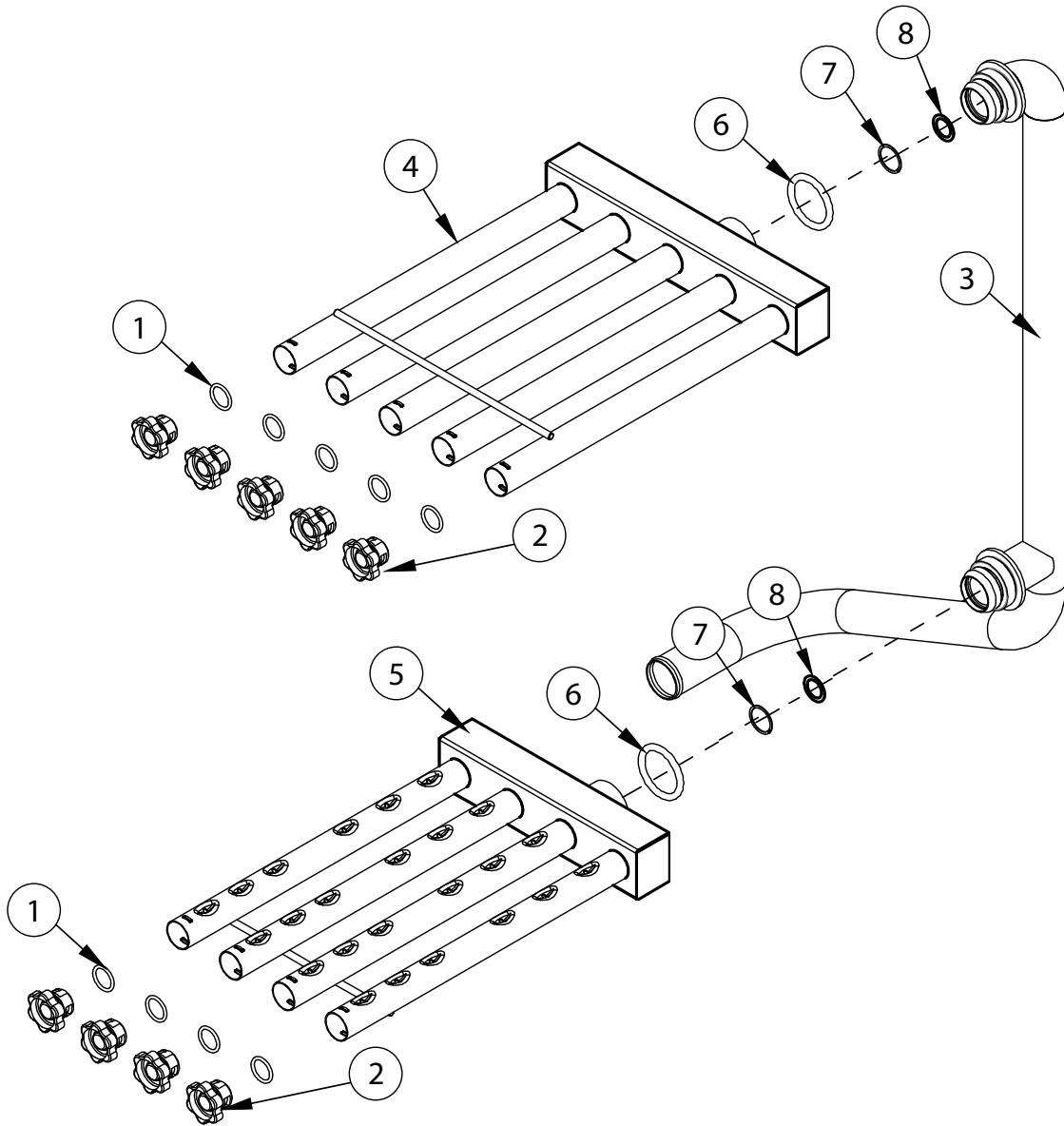
Item No.	Part No.	Description	Qty.
1	108250	ROD,CURTAIN, 5/16" X 24-5/8"	2
2	113720	CURTAIN, 24" X 20-1/4" STANDARD HOOD	2
2a	114026	CURTAIN, 24" X 24-1/4" HIGH HOOD	2
3	114012	ROD, CURTAIN, 5/16" X 23.63"	1
4	108043	CURTAIN, 24" X 13-1/4", STANDARD & HIGH HOOD	1
5	329927	BAFFLE, TABLE WITH CUTOUT	1
6	328451	FLANGE, TABLE	2
7	337085	PANEL, END, 25"STANDARD	1
8	100073	SCREW, 1/4-20 X 1/2" TRUSS HEAD	4
9	113944	NUT, 3/4" NPT PLASTIC	4
10	108620	GASKET, 3/4" PLUG	4
11	113943	PLUG, 3/4" NPT PLASTIC	4
12	108417	NUT, 1/2" NPT PLASTIC	4
13	109034	GASKET, 1/2" NPT PLUG, FIBER WASHER	4
14	108418	PLUG, 1/2"NPT PLASTIC	4
15	338350	PANEL, FRONT PERIMETER	1
16	338148	BASKET, REFUSE	2
17	338149	FILLER, SCRAP BASKET	2
18	339487	SCREEN, SCRAP	4

Tank Floats and Thermistors



Item No.	Part No.	Description	Qty.
1	110561	THERMOSTAT, FIXED HIGH LIMIT, 240°F	2
2	115489	O-RING	2
3	100547	LOCKNUT, 1/2" NPT SST	2
4	114435	THERMISTOR, 10kΩ, 36" LEAD	4
5	0512299	ADAPTER	2
6	111151	C-CLIP	A/R
7	113291	FLOAT SWITCH, DUAL, WASH & POWER RINSE TANK	2
7a	110854	FLOAT SWITCH, PW (Prior to S/N RP21013012)	1
8	115352	FLOAT SWITCH, PW (Begin with S/N RP21013012)	1
9	104882	WASHER, FLAT 1/2" SST	6
10	107589	WASHER, LOCK 1/2" SST	3
11	104584	NUT, PLAIN 1/2-13	3
---	110750	GASKET, FLOAT SWITCH (NOT SHOWN)	3

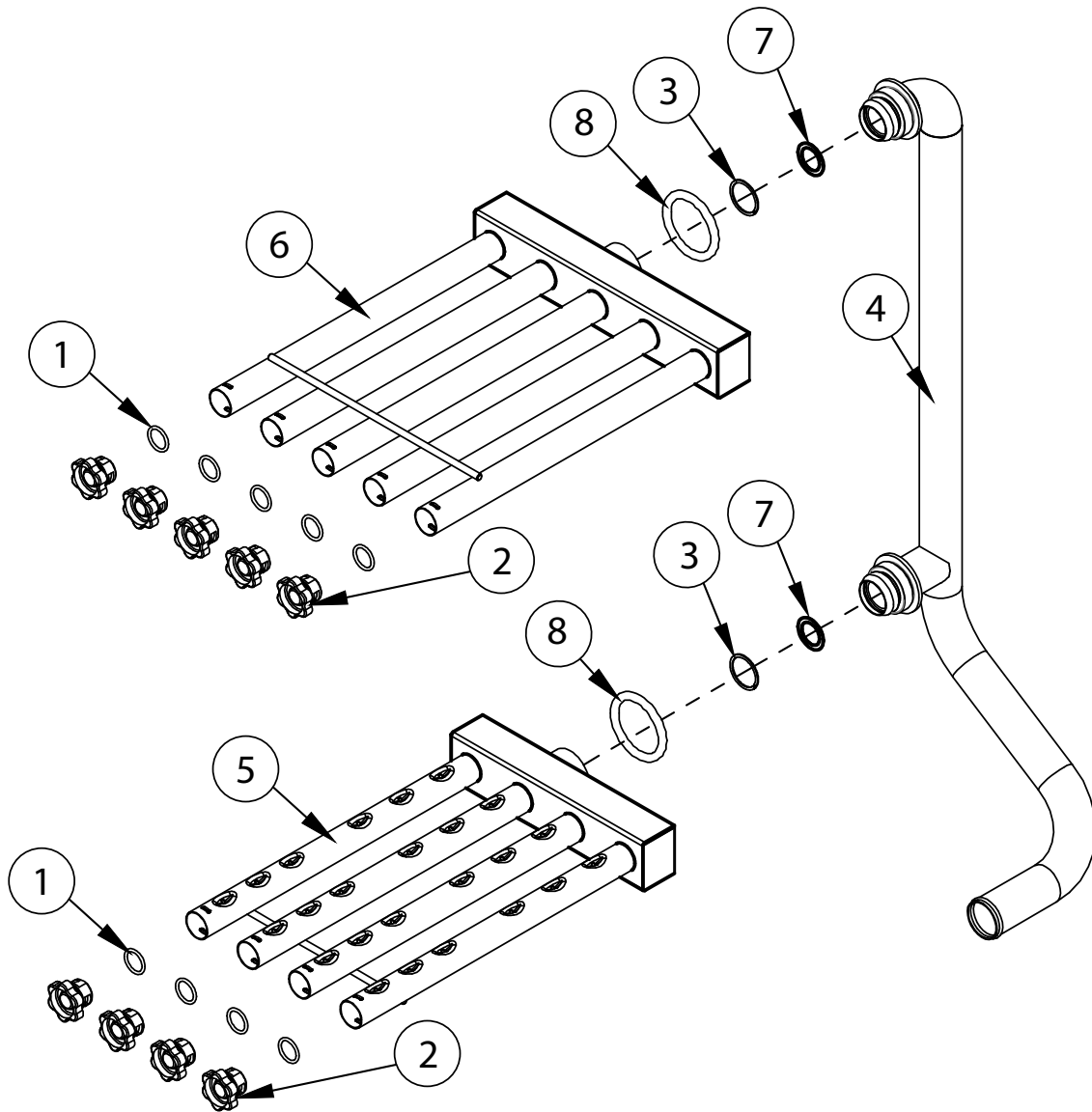
Left-hand Wash and Power Rinse Manifold Assembly



Left-hand Wash and Power Rinse Manifold Assembly

Item No.	Part No.	Description	Qty.
1	104414	O-RING, 1" X 1-1/4" X 1/8"	9
2	112240	PLUG, DEBOSSSED SPRAYPIPE	9
3	339125	STANDPIPE WELD., LH, 64PRO, STD. HT.	1
4	339130	MANIFOLD WELD., 64PRO, UPPER, LH 5-PIPE	1
5	339355	MANIFOLD WELD., 64PRO, LOWER, LH 4-PIPE	1
6	116609	O-RING, WASH ARM	2
7	117039	RING, RETAINING (POWER RINSE ONLY)	2
8	339485-1	RESTRICTOR (POWER RINSE ONLY)	2

Right-hand Wash and Power Rinse Manifold Assembly

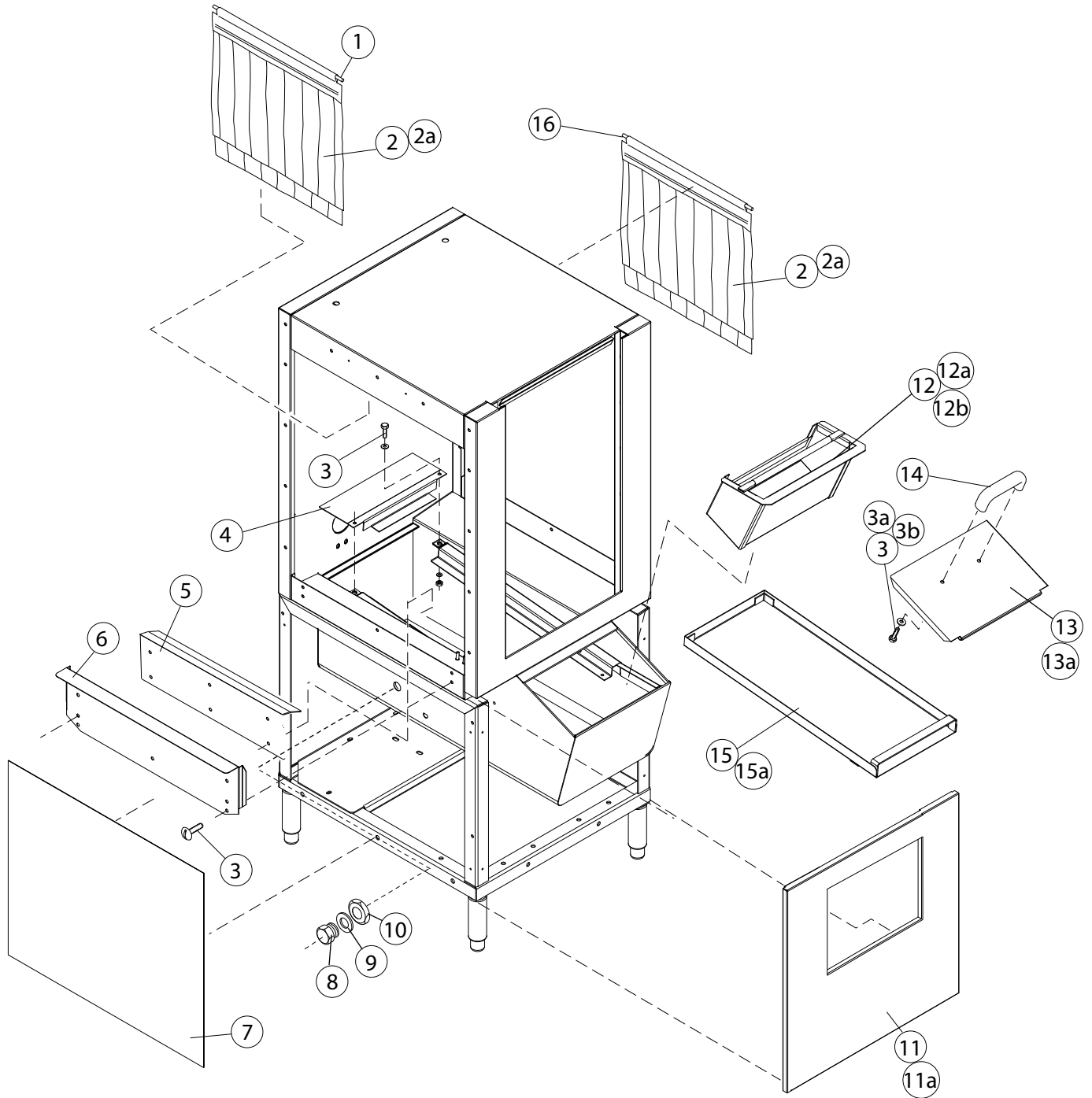


Right-hand Wash and Power Rinse Manifold Assembly

Item No.	Part No.	Description	Qty.
1	104414	O-RING, 1" X 1-1/4" X 1/8"	9
2	112240	PLUG, DEBOSSSED SPRAYPIPE	9
3*	117039	RING, RETAINING, (POWER RINSE ONLY)	2
4	339128	STANDPIPE WELD., RH, 64PRO, STD. HT.	1
5	339131	MANIFOLD WELD., 64PRO, LOWER, RH 4-PIPE	1
6	339132	MANIFOLD WELD., 64PRO, UPPER RH, 5-PIPE	1
7*	339485-1	RESTRICTOR, (POWER RINSE ONLY)	2
8	116609	O-RING, WASH ARM	2

* RETAINING RING AND RESTRICTOR GO INTO THE POWER RINSE ONLY.

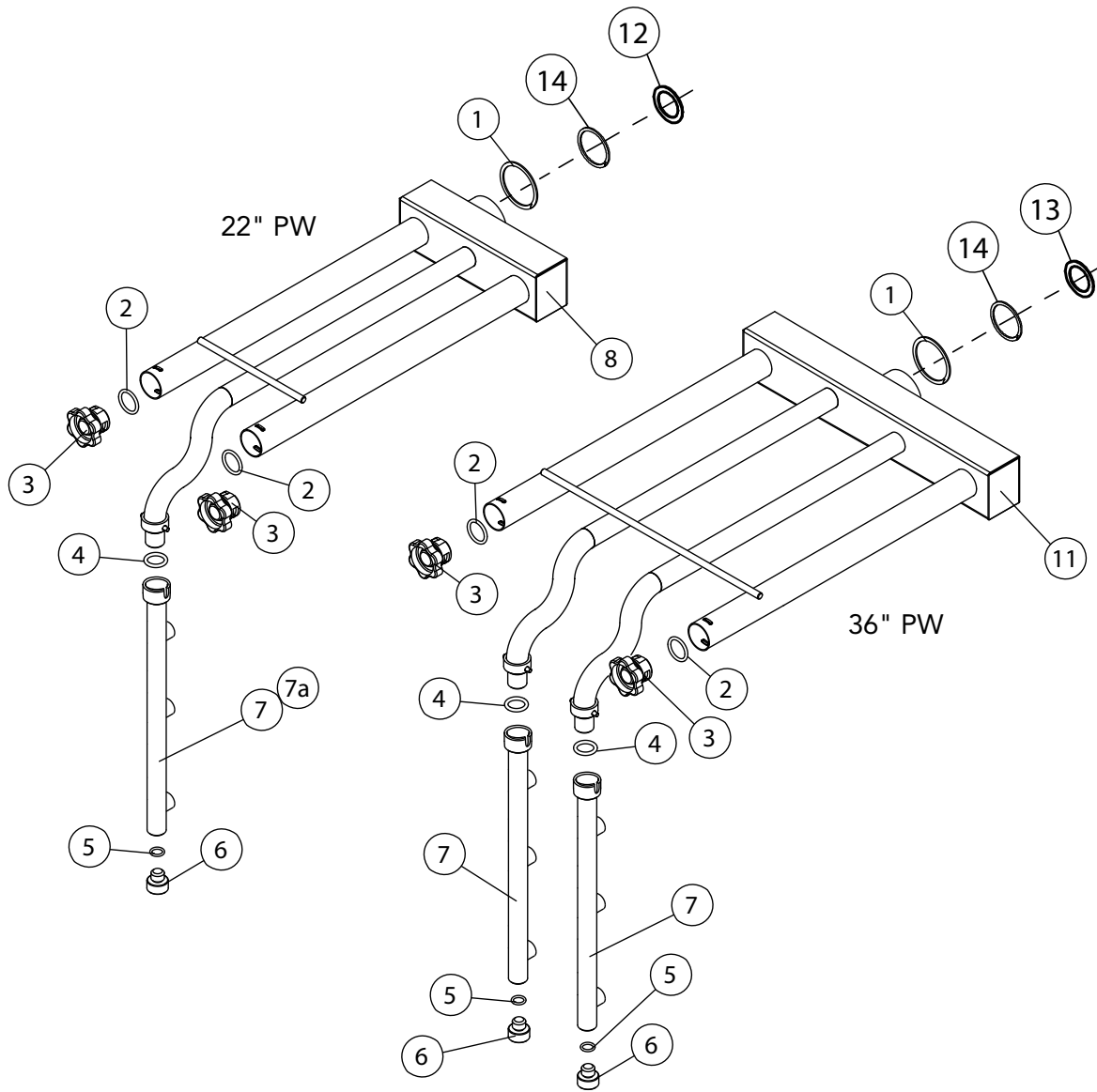
22" and 36" Prewash Panels, Curtains, and Screens



22" and 36" Prewash Panels, Curtains, and Screens

Item No.	Part No.	Description	Qty.
1	108250	ROD CURTAIN 5/16 X 24-5/8"	1
2	113720	CURTAIN 24 X 20-1/4" STANDARD HOOD	2
2a	114026	CURTAIN 24 X 24-1/4" HIGH HOOD	2
3	100735	BOLT, 1/4-20 X 5/8" HEX HEAD	8
3a	106482	WASHER, LOCK, 1/4" SPLIT	2
3b	106026	WASHER, 1/4" X 5/8"	2
4	328006	SUPPORT, 22" PW REAR SCREEN	1
5	329927	BAFFLE, TABLE FLANGE WITH CUTOUT	1
6	328030	TABLE FLANGE	1
7	337085	PANEL, 25" END STANDARD	1
8	108418	PLUG, 1/2" PLASTIC	2
9	109034	GASKET, 1/2" FIBER WASHER	2
10	108417	NUT, 1/2" NPT PLASTIC	2
11	337213	PANEL ASSY. FRONT PERIMETER 22" PW	1
11a	334756	PANEL ASSY. FRONT PERIMETER 26" PW	1
11b	337870	PANEL ASSY. FRONT PERIMETER 36" PW	1
12	328959	BASKET, REFUSE 22"	1
12a	329492	BASKET, REFUSE 26"	1
12b	328967	BASKET, REFUSE 36"	1
13	335332	COVER, REFUSE BASKET 22" PW	1
13a	335333	COVER, REFUSE BASKET 36" PW	1
14	108966	HANDLE, DOOR	1
15	328958	SCREEN, SCRAP, 22"	1
15a	328960	SCREEN, SCRAP 36" PW	2
16	114012	ROD, CURTAIN 5/16" X 23.63"	1
---	901090	KIT, 22PW REFUSE BASKET COVER KIT W/HANDLE (Includes Items 3, 3a, 3b, 13, 14)	1
---	901091	KIT, 36PW REFUSE BASKET COVER KIT W/HANDLE (Includes Items 3, 3a, 3b, 13a, 14)	1

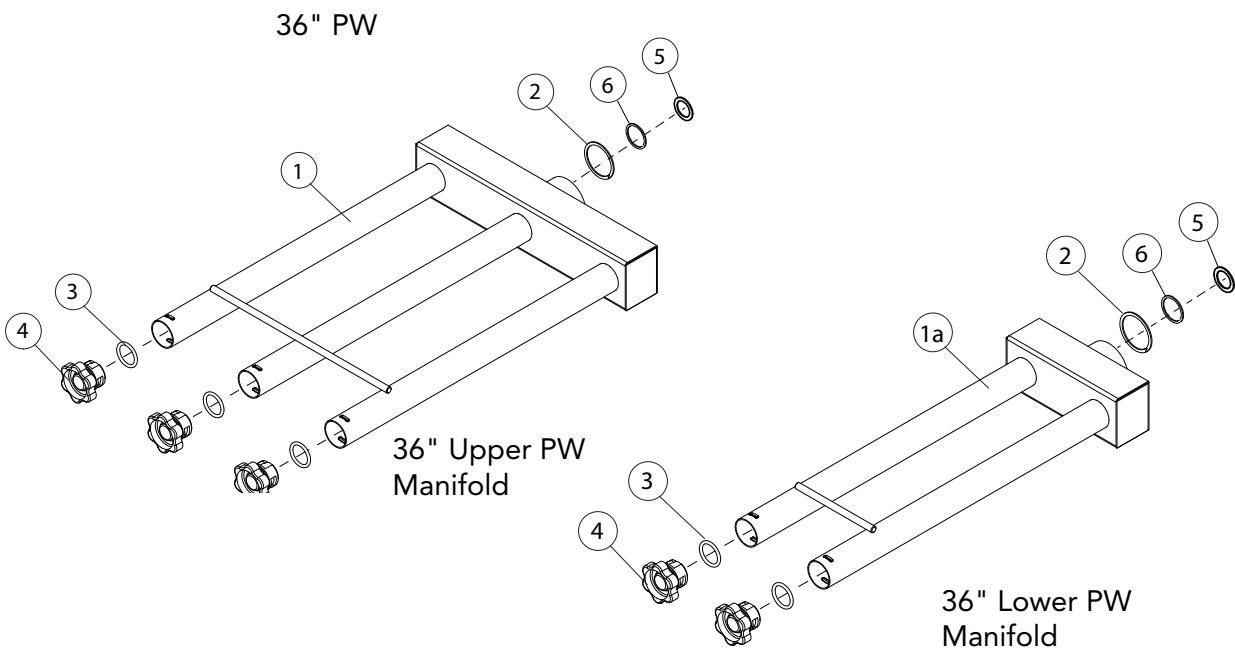
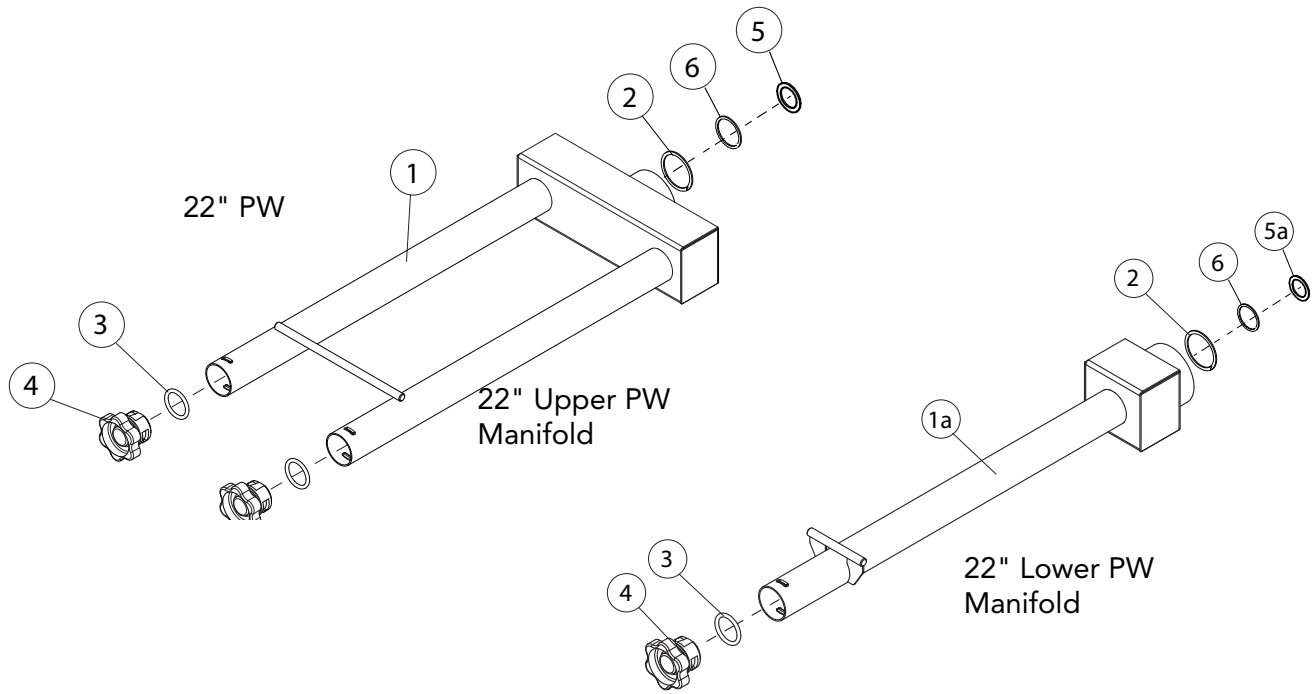
22" and 36" Prewash Spray Arms Manifolds (Prior to S/N RP21013012)



22" and 36" Prewash Spray Manifolds (Prior to S/N RP21013012)

Item No.	Part No.	Description	Qty.
1	116609	O-RING, WASH ARM	1
2	104414	O-RING, END CAP	A/R
3	112240	CAP, END WASH ARM	A/R
4	116608	O-RING, PREWASH SIDE ARM	A/R
5	113716	O-RING	A/R
6	113555	PLUG, CLEANOUT	A/R
7	337656	SPRAYPIPE, SIDEWASH 22PW/36PW, STD HEIGHT	A/R
7a	338214	SPRAYPIPE, SIDEWASH 22PW/36PW, HIGH HOOD	A/R
8	337665	WASH ARM MANIFOLD, PREWASH 22" RL	1
8a	337657	WASH ARM MANIFOLD, PREWASH 22" LR	1
11	337988	WASH ARM MANIFOLD, PREWASH 36PW (RL &LR)	1
12	339485-5	RESTRICTOR, 22PW PRO	1
13	339485-3	RESTRICTOR, 36PW PRO	1
14	117039	RETAINING RING	2

22" and 36" Prewash Spray Manifolds (Beginning with S/N RP21013012)



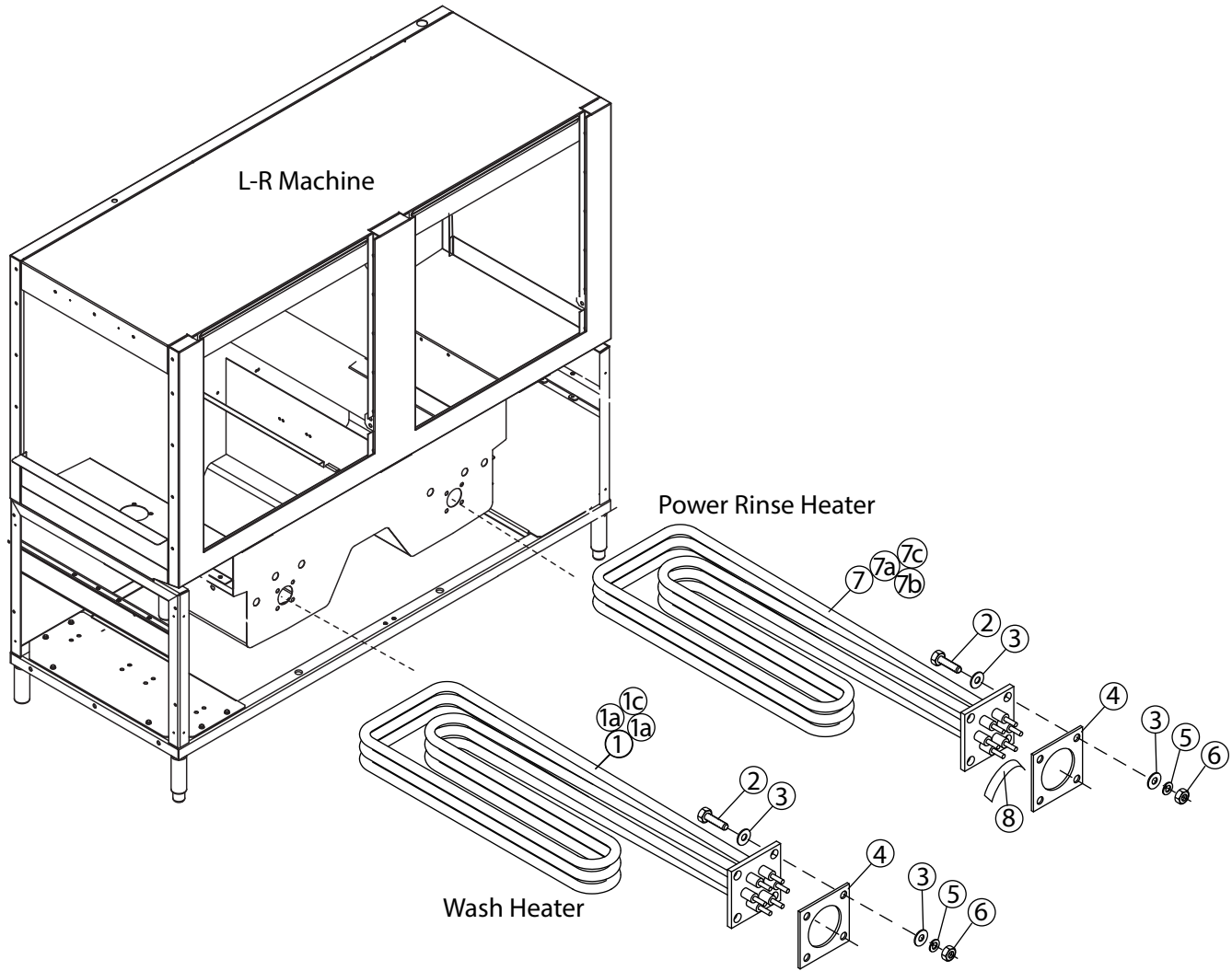
22" and 36" Prewash Spray Manifolds (Beginning with S/N RP21013012)

Item No.	Part No.	Description	Qty.
22" PW			
1	339780	MANIFOLD, 22", UPPER, TWO PIPE	1
1a	339779	MANIFOLD, 22", LOWER, ONE PIPE	1
2	116609	O-RING, WASH ARM	1
3	104414	O-RING, END PLUG	A/R
4	102240	PLUG, DEBOSSSED	A/R
5	339485-5	RESTRICTOR, TOP, 22PW PRO	1
5a	339485-7	RESTRICTOR, BOTTOM, 22PW PRO	1
6	117039	RETAINING RING	2

36" PW

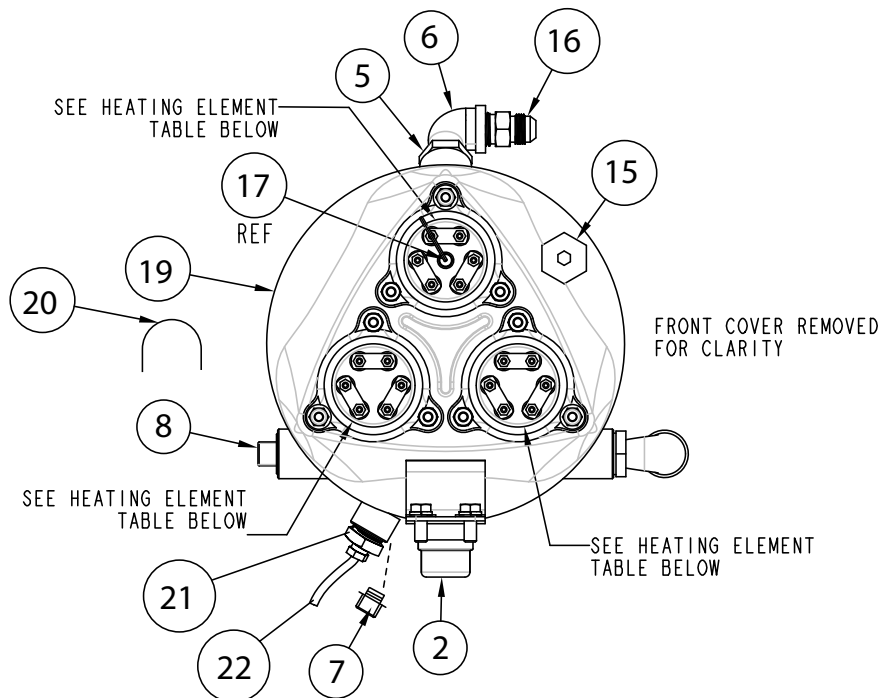
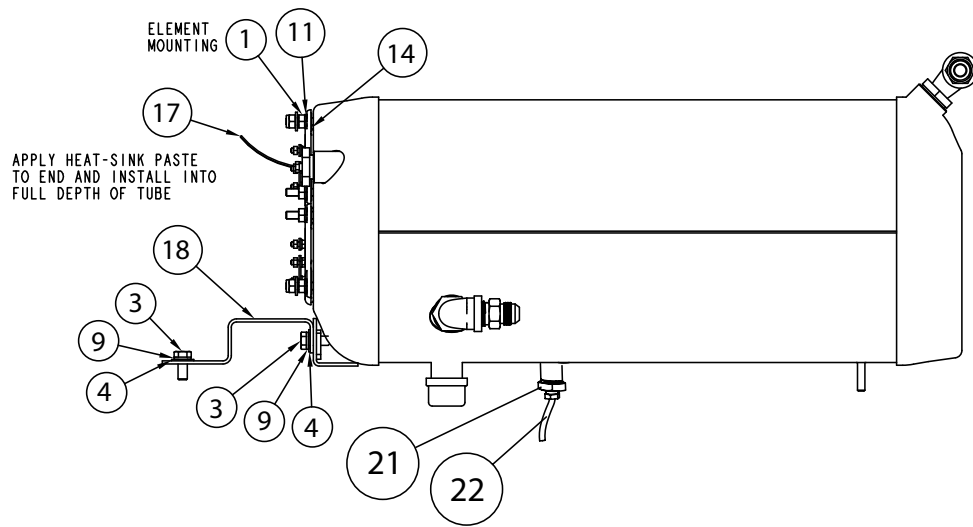
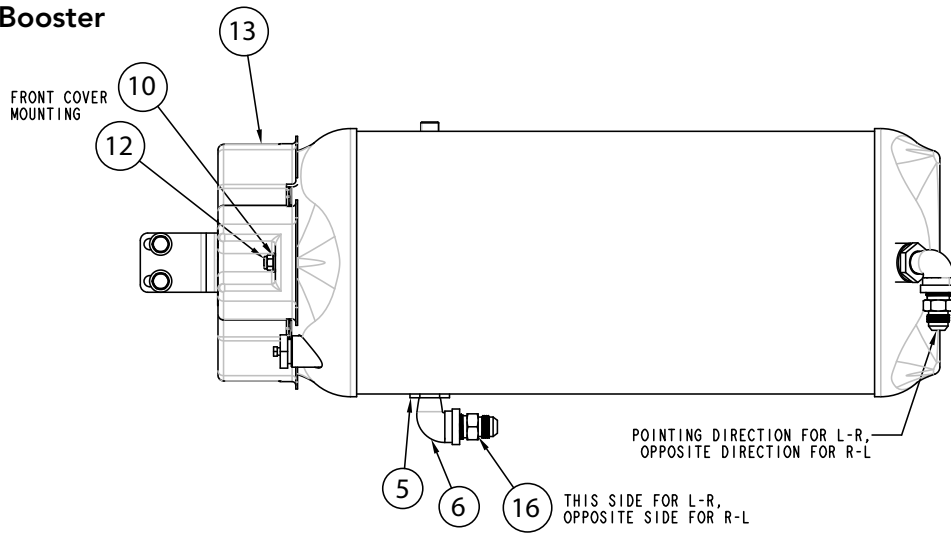
1	339782	MANIFOLD, 36", UPPER, THREE PIPE	1
1a	339781	MANIFOLD, 36", LOWER, TWO PIPE	1
2	116609	O-RING, WASH ARM	1
3	104414	O-RING, END PLUG	A/R
4	102240	PLUG, DEBOSSSED	A/R
5	339485-3	RESTRICTOR, TOP & BOTTOM 36PW PRO	2
6	117039	RETAINING RING	2

Wash/Power Rinse Heaters



Item No.	Part No.	Description	Qty.
1	113516	HEATER, 15/18KW 200-220V/60/1 & 3, 380V/60/3	1
1a	113517	HEATER, 15/16/3 KW 230-240V/60/1 & 3 400-415V/60/3	1
1b	113518	HEATER, 15/16.3 KW 460-480V/60/3	1
1c	113519	HEATER, 15KW, 575V/60/3	1
2	100153	BOLT, 3/18-16 x 1" HEX HEAD, SST	4
3	104618	WASHER, FLAT 3/8" SST	8
4	108345	GASKET, 3" x 3" x 1/8", 2" HOLE	1
5	106407	WASHER, LOCK 3/8" SPLIT, SST	4
6	100140	NUT, PLAIN 3/8-16 SST	4
7	113804	HEATER, 10/12.1KW 200-220/3	1
7a	113882	HEATER, 10/11 KW 230-240V/3	1
7b	113883	HEATER, 10/11KW, 460-480V/3	1
7c	113884	HEATER, 10/11KW, 575V/3	1
8	111885	INSULATION, FISH PAPER	1

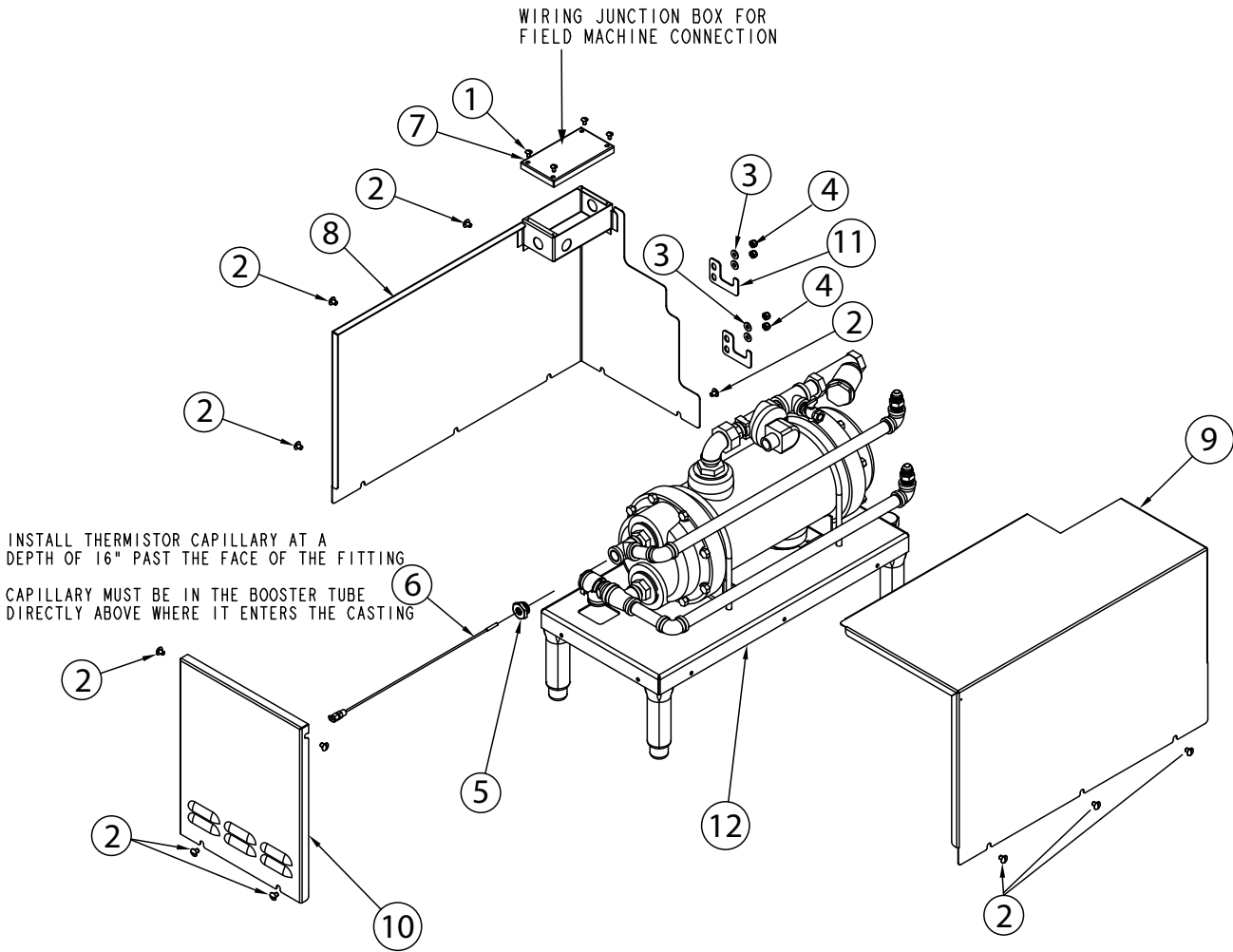
Electric Booster



Item No.	Part No.	Description	Qty.
1	100003	NUT, PLAIN, 1/4-20 SST	9
2	100113	CAP, 3/4" NPT, SST	1
3	100739	BOLT, HEX HEAD, 5/16-18 X 3/4" SST	4
4	102376	WASHER, FLAT 5/16"	4
5	102392	BUSHING, REDUCING, 3/4" NPT X 1/2" NPT BRASS	2
6	102438	ELBOW, STREET, 1/2" NPT X 90°	2
7	102504	PLUG, 1/2" NPT, SQ. HD, BRASS (From/SN RP18021381 to S/N RP21083364)	1
8	102505	PLUG, 3/4" NPT SQ. HD, BRASS	1
9	106013	WASHER, LOCK 5/16" SPLIT SST	4
10	106026	WASHER, FLAT, 1/4" SST	4
11	106482	WASHER, LOCK 1/4" SPLIT SST	9
12	107967	NUT GRIP, 1/4-20 SST, W/NYLON	3
13	108576	COVER, BOOSTER HEATER, NO CUTOUT	1
14	109985	SEAL, BOOSTER HEATER	3
15	113604	THERMOSTAT, FIXED HI-LIMIT 212°F, 1/2" NPT	1
16	115101	CONNECTOR, MALE, 1/2" NPT X 1/2", 37D FLARE JC BRASS	2
17	116754	THERMISTOR, PROBE, US SENSOR (USP 192261) (From/SN RP18021381 to S/N RP21083364)	1
18	328254	BRACKET, BOOSTER, FRONT SUPPORT	1
19	414331	TANK, BOOSTER	1
20	111885	INSULATION, FISH PAPER	1
21	115530	ADAPTER (From S/N RP21083364 and above)	1
22	117270	THERMISTOR, 10KΩ, 8.25" LG., 36" LEAD (From S/N RP21083364 and above)	1

BOOSTER HEATER ELEMENTS			
VOLTAGE	TOP ELEMENT (9kW)	BTM ELEMENTS (6kW)	WIRING COMMENTS
208-220/380	116624	107909	380V WIRED AS WYE, OTHERS AS DELTA
230-240/415	116625	114030	415V WIRED AS WYE, OTHERS AS DELTA
460-480	116626	114031	WIRED AS DELTA
575	116627	114032	WIRED AS DELTA

External Steam Booster Cabinet (All S/N's)

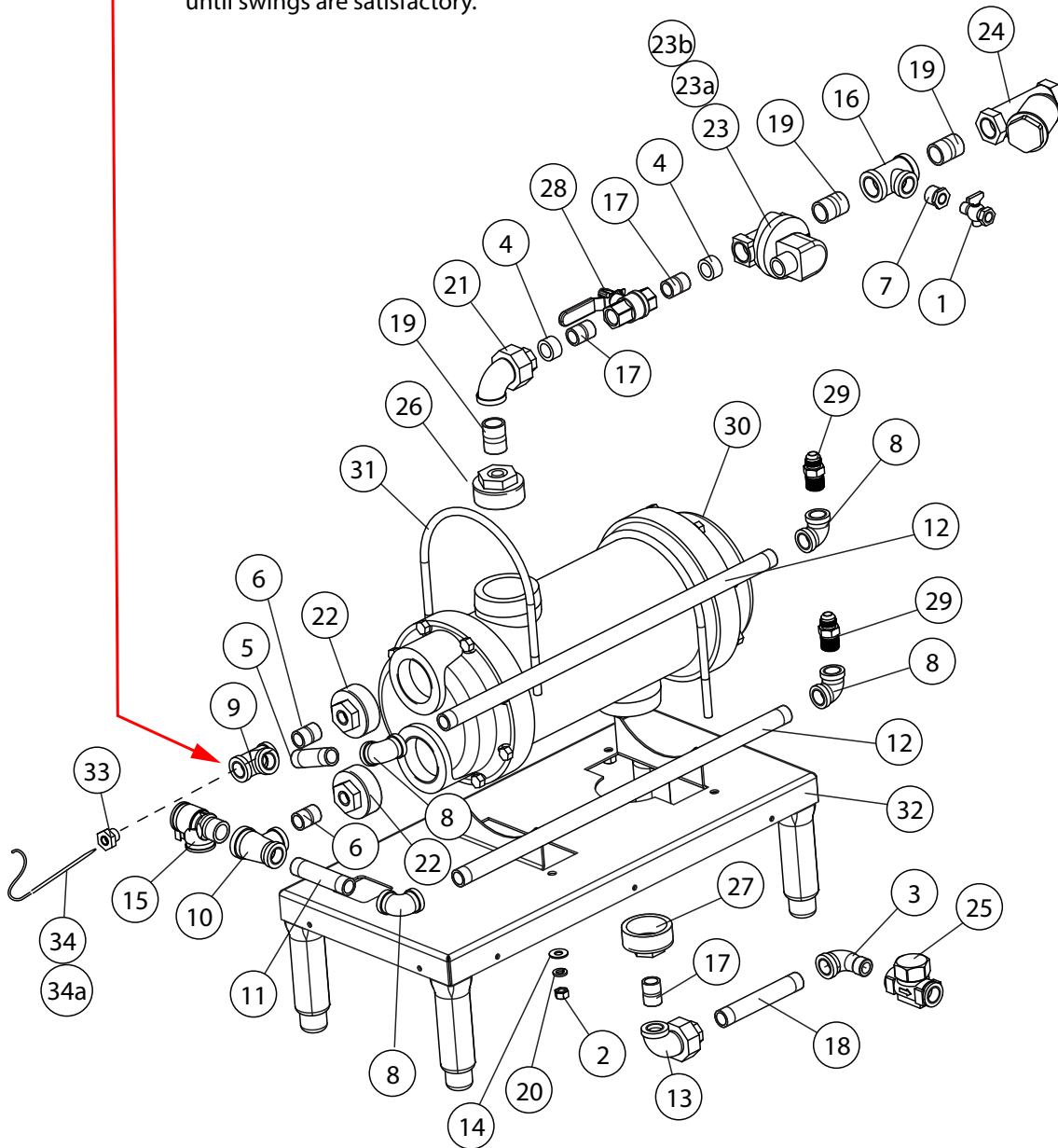


External Steam Booster Cabinet (All S/N's)

Item No.	Part No.	Description	Qty.
1	100007	SCREW, TRUSS HEAD, 10-32 X 3/8" SST	4
2	100778	SCREW, TRUSS HEAD, 1/4-20 X 3/8" SST	14
3	106026	WASHER, FLAT, 1/4" SST	4
4	107967	GRIP NUT, 1/4-20, SST W/NYLON INSERT	4
5	115530	ADAPTER, THERMOMETER, DIGITAL	1
6	117002	THERMISTER, 10kW 48" LEAD, FLEXIBLE, ADJ. DEPTH.	1
7	339032	COVER, SST STATION, BLANK	1
8	339568	PANEL, WELD, LH, PRO EXTERNAL BOOSTER CABINET	1
9	339571	PANEL, RH PRO EXTERNAL BOOSTER CABINET	1
10	339582	PANEL, FRONT, EXTERNAL BOOSTER CABINET	1
11	339585	PIPING, SUPPORT, WATER, PRO EXT. BSTR, CABINET	2
12	602486	BOOSTER PIPING ASSY. EXT. 1200 STEAM BSTR., PRO	1

● Thermistor Capillary Installs Here

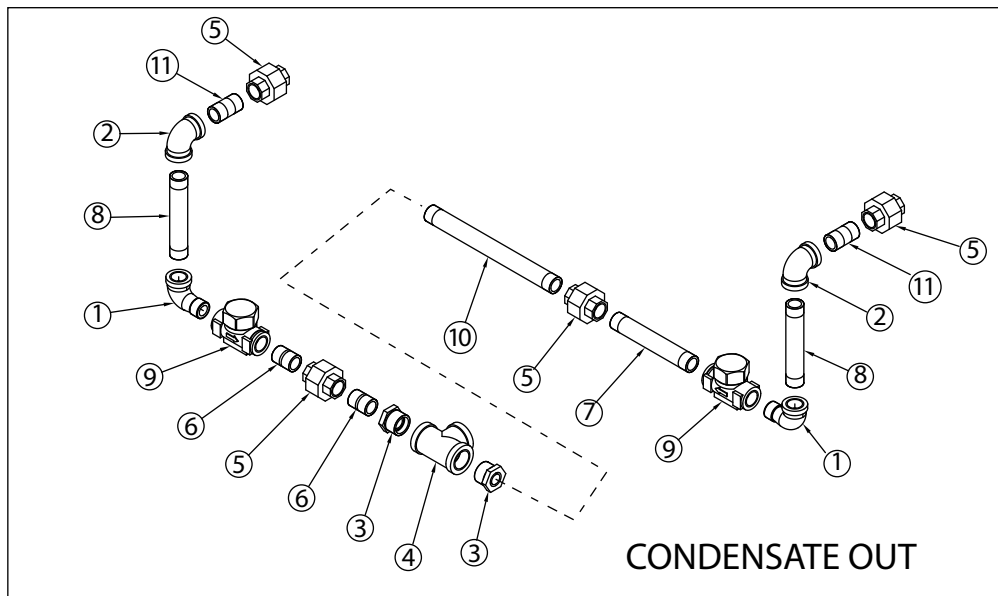
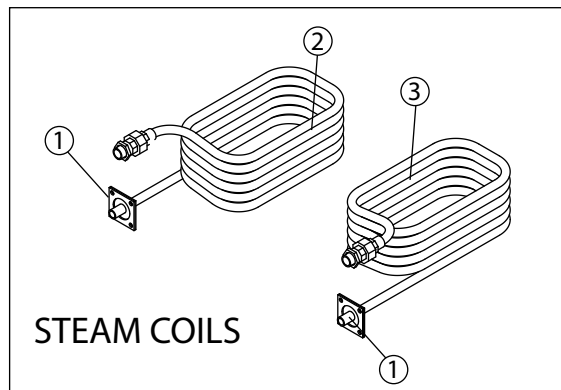
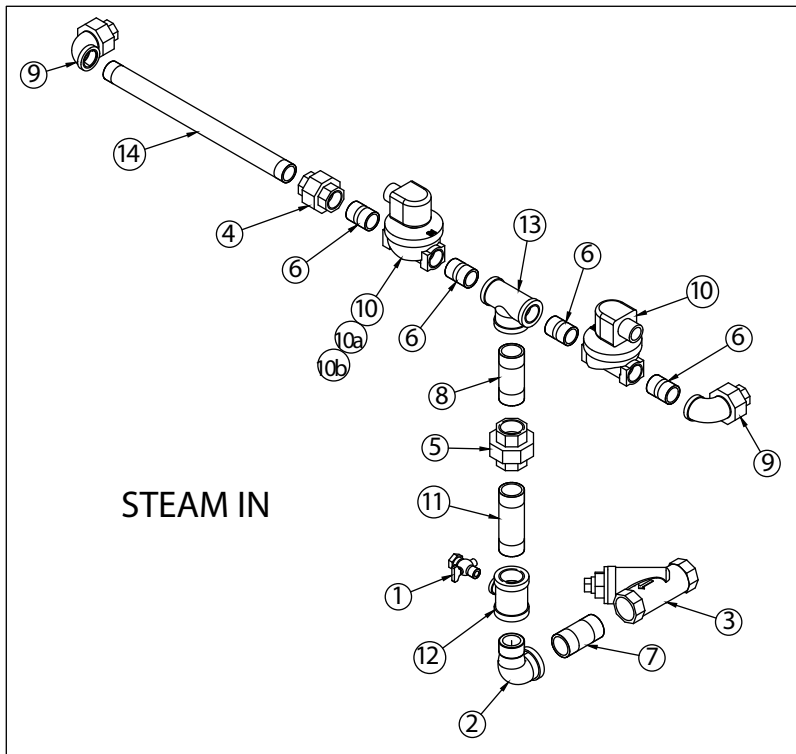
1. Install thermistor onto 1/2" x 1/8" reducing bushing (Bushing removed from booster).
2. Adjust probe end depth to 16" past the face of the thermistor ferrule fitting; tighten ferrule.
3. Use flashlight to view into booster through Tee fitting.
4. Slide thermistor lead into the center tube inside of the booster.
(The tube is a small amount above the entry piping centerline.)
**Temp swings will be very large if installed in wrong tube.
5. Install thermistor/reducing bushing onto booster.
6. Run machine to verify there are no unacceptably large temp swings.
- If large swings are occurring, decrease the ball valve opening to reduce steam input until swings are satisfactory.



External Steam Booster (All 64PRO S/N's)

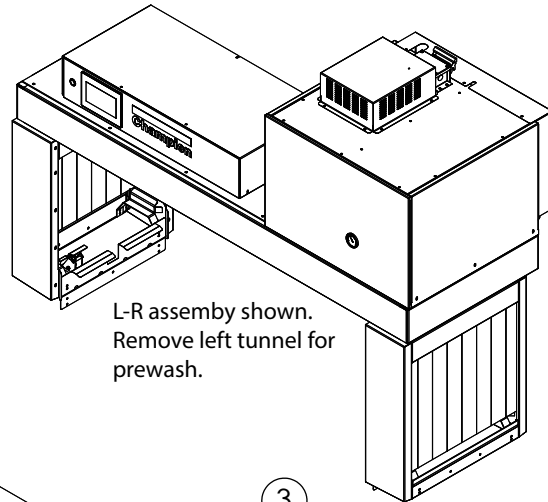
Item No.	Part No.	Description	Qty.
1	100123	PETCOCK. 1/4" NPT FEMALE, BRASS	1
2	100140	PLAIN NUT, 3/8-16 SST	4
3	100147	ELBOW, STREET, 1/2" NPT X 90°, MI	1
4	100171	BUSHING, REDUCING, FACE 3/4" X 1/2" BRASS	2
5	100206	NIPPLE, 1/2" NPT X 2-1/2" LG., BRASS	1
6	100209	NIPPLE, 1/2" NPT X CLOSE, BRASS	2
7	102402	BUSHING, REDUCING, 1/2" NPT X 1/4" NPT, BI	1
8	102435	ELBOW, 1/2" NPT X 90°, BRASS	4
9	102514	TEE, 1/2" NPT, BRASS	1
10	102524	TEE, RED. 3/4" X 1/2" X 1/2" NPT BRASS	1
11	102569	NIPPLE, 1/2" NPT X 3-1/2" LG., BRASS	1
12	102620	NIPPLE, 1/2" NPT X 21-1/2" NPT, BRASS	2
13	103433	UNION, ELBOW, 1/2" NPT, FEMALE, BI	1
14	104618	WASHER, FLAT 3/8"	4
15	104649	VALVE, PRESSURE RELIEF, 3/4" NPT BRONZE	1
16	105759	TEE, REDUCING, 3/4" NPT X 3/4" NPT X 1/2" MI	1
17	105782	NIPPLE, 1/2" NPT X CLOSE, BI	3
18	105793	NIPPLE, 1/2" NPT X 5" LG., BI	1
19	105803	NIPPLE, 3/4" NPT X CLOSE, BI	3
20	106407	WASHER, LOCK, 3/8" SPLIT, SST	4
21	106485	UNION, ELBOW, 3/4" NPT, FEMALE BI	1
22	106582	BUSHING, REDUCING, 2" NPT X 1/2" NPT, BRASS	2
23	109887	VALVE, SOLENOID, 3/4" NPT STEAM, 120VAC	1
23a	109903	KIT, REPAIR, 3/4" STEAM SOLENOID VALVE	A/R
23b	108516	COIL, SOLENOID, 3/4" 120 VAC	A/R
24	110768	STRAINER, LINE 3/4" NPT BRASS	1
25	111380	TRAP, STEAM 1/2" NPT, TDC	1
26	112341	BUSHING, REDUCING, 2" NPT X 3/4" NPT, BI	1
27	112365	BUSHING, REDUCING, 2" NPT X 1/2" NPT, BI	1
28	114460	VALVE, BALL, 1/2" F NPT, BRASS, W/SETTING INDICATOR	1
29	115101	CONNECTOR, MALE, 1/2" NPT X 1/2" 37D FLARE JIC BRASS	2
30	115640	BOOSTER, THRUSH #1200	1
31	116676	U-BOLT, #1200 BOOSTER	2
32	339566	BASE, WELD, PRO EXTERNAL, 1200 BOOSTER	1
33	115530	ADAPTER, THERMOMETER	1
34	117002	THERMISTOR, 10KΩ, 40" LEAD, FLEXIBLE DEPTH (Beginning with S/N RP19031884)	1
34a	109069	THERMOSTAT (From S/N RP19031874 to RP19031884)	1

Steam Coils and Piping

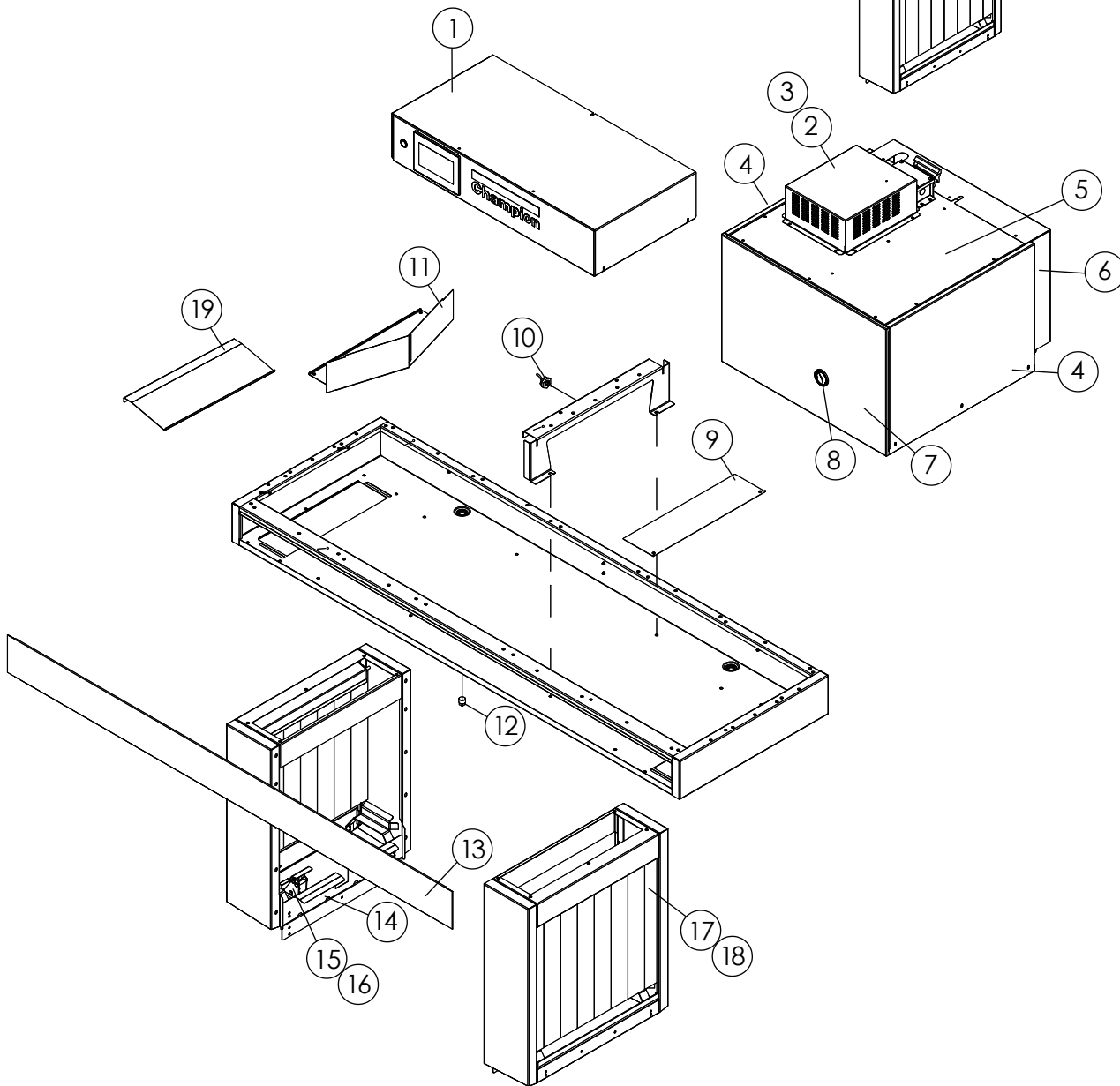


Item No.	Part No.	Description	Qty.
<u>STEAM IN</u>			
1	100123	PETCOCK, 1/4" NPT, FEMALE, BRASS	1
2	100134	ELBOW, STREET, 1" NPT X 90° MI	1
3	101248	LINE STRAINER, 1" NPT BRONZE	1
4	105779	UNION, 3/4" NPT, BI	1
5	105780	UNION, 1" NPT, BI	1
6	105803	NIPPLE, 3/4" NPT X CLOSE, BRASS	4
7	105851	NIPPLE, 1" NPT X 2-1/2" LG., BI	1
8	105853	NIPPLE, 1" NPT X 3" LG., BI	1
9	106485	UNION, ELBOW, 3/4" NPT FEMALE BI	2
10	109887	VALVE, SOLENOID 3/4" NPT STEAM	1
10a	109903	KIT, REPAIR 3/4" STEAM VALVE	A/R
10b	108516	COIL, SOLENOID VALVE 120VAC	A/R
11	109969	NIPPLE, 1" NPT X 3-3/4" LG., BI	1
12	112358	TEE, REDUCING, 1" X 1" X 1/4" NPT, BI	1
13	112359	TEE, RED. 3/4" X 3/4" X 1" NPT BI	1
14	113003	NIPPLE, 3/4" NPT X 13" LG., BI	1
<u>STEAM COILS</u>			
1	108345	GASKET	2
2	327907	COIL, STEAM R-L	1
3	327908	COIL, STEAM L-R	1
<u>CONDENSATE OUT</u>			
1	100147	ELBOW, STREET 1/2" NPT X 90° MI	2
2	102288	ELBOW, 1/2" NPT X 90° MI	2
3	103465	BUSHING, REDUCING, 3/4" NPT X 1/2" NPT BI	2
4	105752	TEE, 3/4" NPT, MI	1
5	105778	UNION, 1/2"NPT, MI	4
6	105782	NIPPLE, 1/2" NPT X CLOSE BI	2
7	105793	NIPPLE, 1/2" NPT X 5" LG., BI	1
8	107487	NIPPLE, 1/2" NPT X 4-1/2" LG., BI	2
9	111380	STEAM TRAP, 1/2" NPT TDC	2
10	111489	NIPPLE, 1/2" NPT X 8-1/4" LG., BI	1
11	113643	NIPPLE, 1/2" NPT X 1-1/2" LG., BI	2

VHR Assembly (All 64PRO-VHR's)



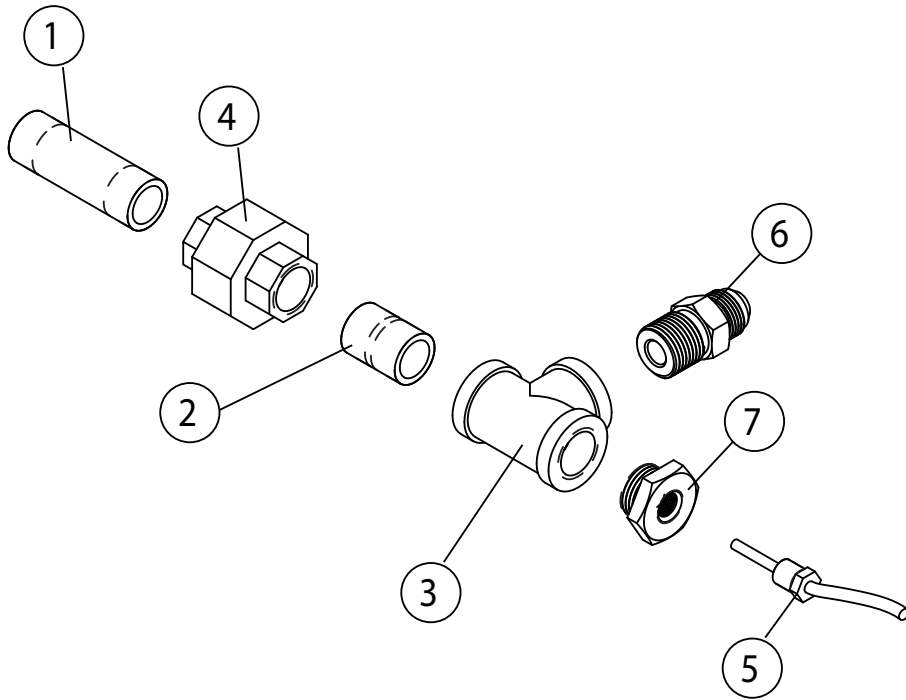
L-R assembly shown.
Remove left tunnel for
prewash.



Item No.	Part No.	Description	Qty.
1	339380	COVER, CONTROL CABINET	1
2	116547	FAN, CENTRIFUGAL, 115/60/1	1
3	337395	COVER, FAN	1
4	337964	PANEL, SIDE	2
5	337965	PANEL, TOP	1
6	337966	PANEL, REAR	1
7	337963	PANEL, FRONT	1
8	109812	GAUGE, PRESSURE	1
9	337650	PLATE, AIR FLOW ADJUSTING	1
10	114435	THERMISTOR, 10K Ω , 36" LEAD	1
11	339982	PLATE, AIR FLOW ADJUSTING, LOAD END	1
12	102504	PLUG, 1/2" NPT, BRASS, SQ. HEAD	1
13	339979	PANEL, CAVITY ACCESS 64VHR	1
14	337648	BAFFLE, LOWER TABLE FLANGE	1
15	113719	SWITCH, REED	1
16	113937	MAGNET	1
17	108250	ROD, CURTAIN 5/16" X 24-5/8" SST	2
18	113720	CURTAIN, 24" X 20-1/4", STD. HOOD	2
19	339981	DIVERTER, CONDENSATE (On R-L VHR Only)	1

Item No.	Part No.	Description	Qty.
1	100003	NUT PLAIN, 1/4-20 SST	4
2	100007	SCREW, TRUSS HEAD, 10-32 X 3/8" SST	4
3	100734	BOLT, HEX HEAD, 1/4-20 X 1/2" SST	6
4	106014	NUT, ACORN, 1/4-20 SST	8
5	106026	WASHER, FLAT, 1/4" SST	18
6	106482	WASHER, LOCK, 1/4" SPLIT SST	14
7	112519	PLUG, SNAP, D-FLAT	1
8	114365	CORD GRIP, LIQUID TITE, W/LOCKNUT 1/2" NPT	1
9	114646	RECEPTACLE, 1/4 TURN, #82	4
10	114647	SPRING, 1/4 TURN, SST #82	4
11	114648	WASHER, WEAR, CUPPED, #82	4
12	114649	RING, RETAINER, SST, #82	4
13	114650	STUD, 1/4 TURN, KNURLED, SST, #82 SOUTHCO	4
14	116911	COIL, ASSEMBLY, PRO RACK, HRU	1
15	116953	FAN. NMB. 24VDC, 105.9 CFM	2
16	116954	BOLT, HEX HEAD, 8-32 X 1-3/4" SST	8
17	339109	COIL, BASE WELD, PRO HRU, LR	1
18	339111	CLEANING, ACCESS, COVER, DEVP., PRO HRU	2
19	339114	SIDE COVER, WELD, PRO HRU	2
20	339116	FRONT COVER, WELD., PRO HRU	1
21	339270	TOP COVER, WELD., PRO HRU	1
22	339282	VENT STACK, DRAIN PAN DEVP., PRO HRU	1
23	339288	VENT STACK, WELD., PRO HRU	1
24	339291	FAN, ACCESS PANEL, PRO HRU	1
25	602436	FILL PIPING ASSEMBLY, HRU CONNECT, PRO HRU	1
26	602539-LR	PIPING ASSEMBLY, PRO-HRU COLD WATER FEED (Beginning with S/N RP20112954)	1
26a	602436	FILL PIPING ASSEMBLY, HRU CONNECT, PRO-HRU (Prior to S/N RP20112954)	1

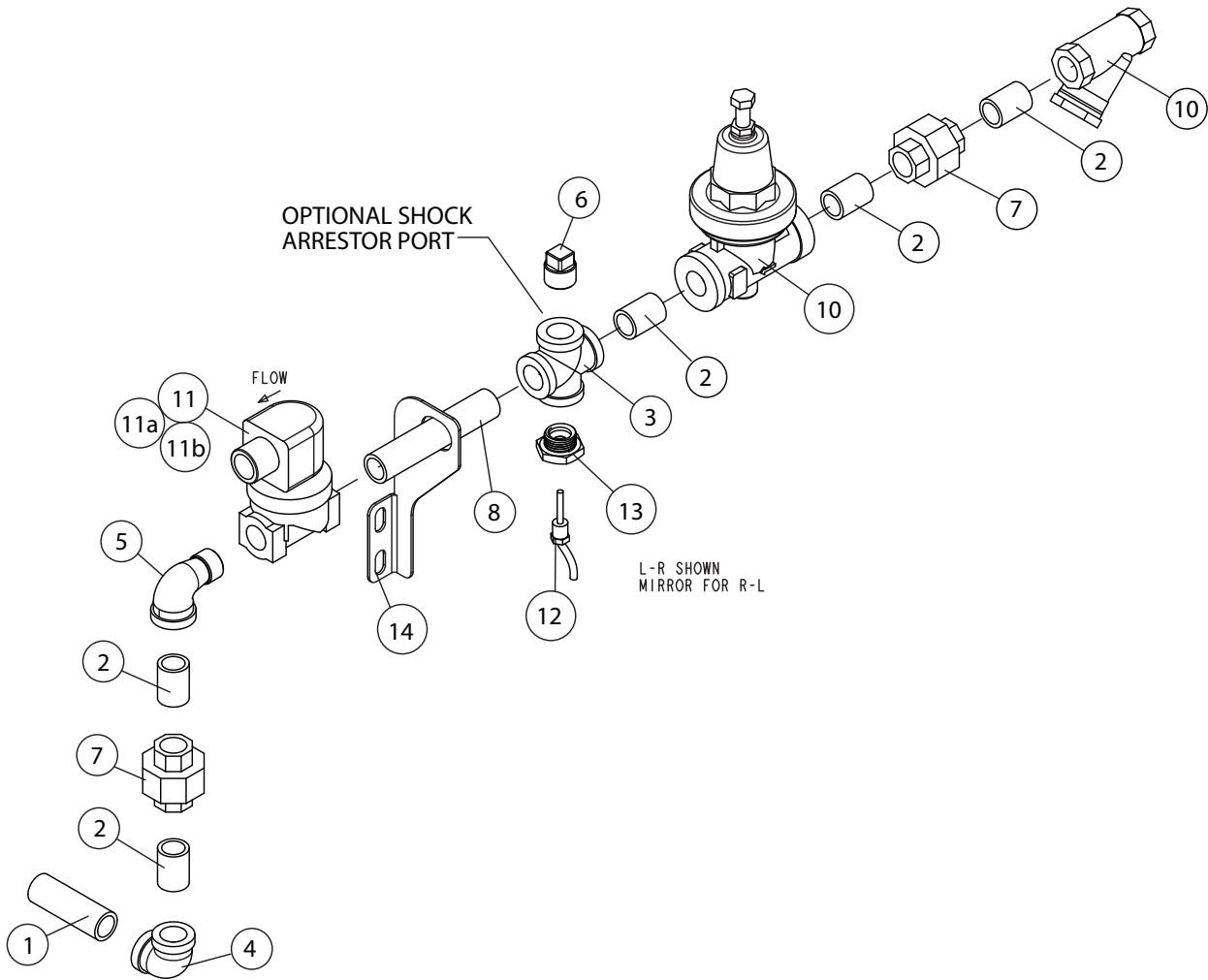
64 PRO HRU Connect Piping Assembly (Prior to S/N RP20112924)



64 PRO HRU Connect Piping Assembly (Prior to S/N RP20112924)

Item No.	Part No.	Description	Qty.
1	100206	NIPPLE, 1/2" NPT X 2-1/2" LG. BRASS	1
2	100209	NIPPLE, 1/2" NPT, X CLOSE, BRASS	1
3	102514	TEE, 1/2" NPT, BRASS	1
4	102549	UNION, 1/2" NPT, BRASS	1
5	114435	THERMISTOR, 10K Ω , 36" LEAD	1
6	115101	COUPLING, MALE, 1/2" NPT X 1/2" 37D, FLARE JIC, BR	1
7	115530	ADAPTER, THERMOMETER, DIGITAL	1

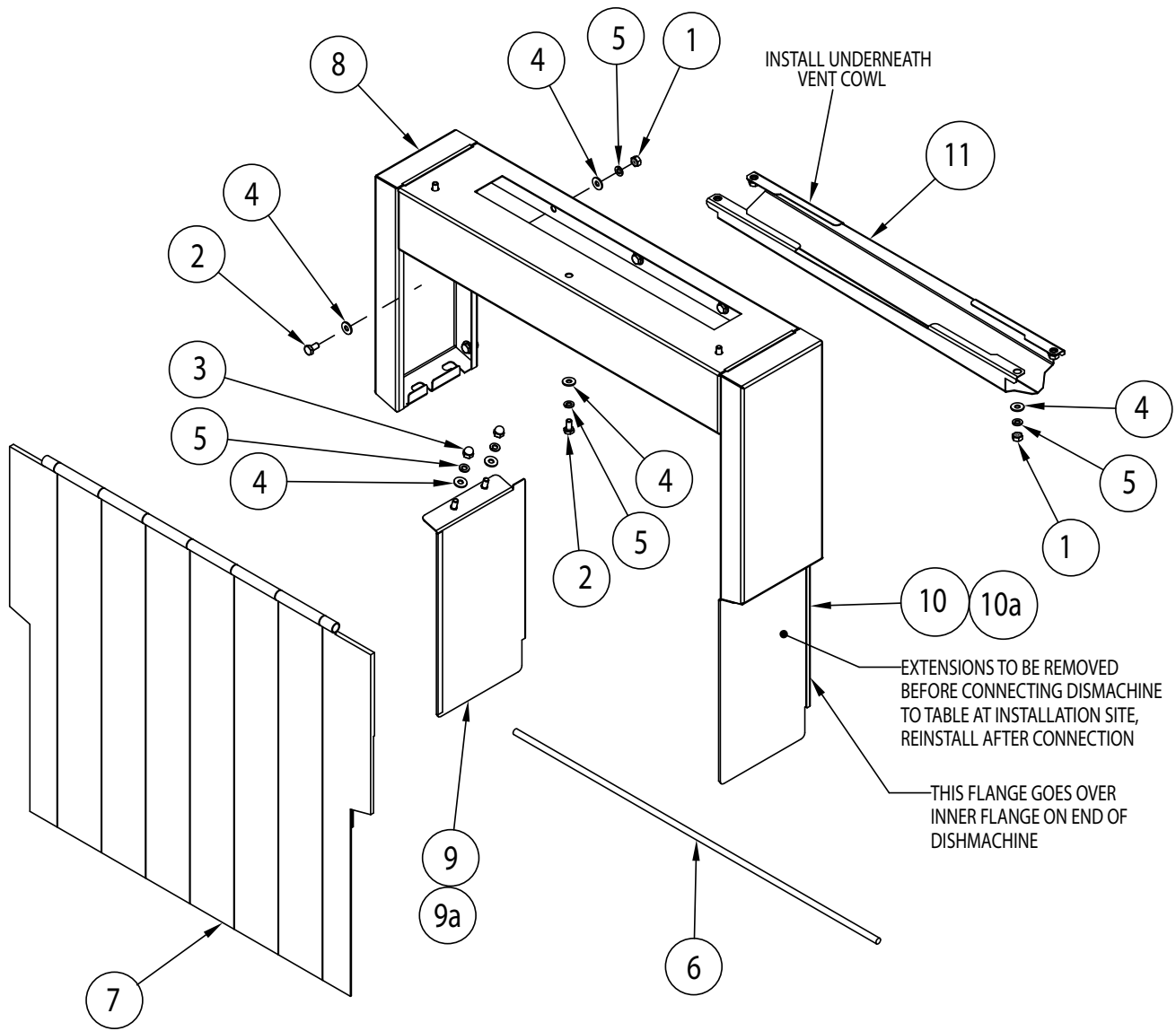
Heat Recovery Connect Fill Piping Assembly (Beginning with S/N RP20112924)



Heat Recovery Unit Connect Fill Piping Assembly (Beginning with S/N RP20112924)

Item No.	Part No.	Description	Qty.
1	100003	NUT PLAIN, 1/4-20 SST	4
2	100007	SCREW, TRUSS HEAD, 10-32 X 3/8" SST	4
3	100734	BOLT, HEX HEAD, 1/4-20 X 1/2" SST	6
4	106014	NUT, ACORN, 1/4-20 SST	8
5	106026	WASHER, FLAT, 1/4" SST	18
6	106482	WASHER, LOCK, 1/4" SPLIT SST	14
7	112519	PLUG, SNAP, D-FLAT	1
8	114365	CORD GRIP, LIQUID TITE, W/LOCKNUT 1/2" NPT	1
9	114646	RECEPTACLE, 1/4 TURN, #82	4
10	114647	SPRING, 1/4 TURN, SST #82	4
11	114648	WASHER, WEAR, CUPPED, #82	4
12	114649	RING, RETAINER, SST, #82	4
13	114650	STUD, 1/4 TURN, KNURLED, SST, #82 SOUTHCO	4
14	116911	COIL, ASSEMBLY, PRO RACK, HRU	1
15	116953	FAN. NMB. 24VDC, 105.9 CFM	2
16	116954	BOLT, HEX HEAD, 8-32 X 1-3/4" SST	8
17	339109	COIL, BASE WELD, PRO HRU, LR	1
18	339111	CLEANING, ACCESS, COVER, DEVP., PRO HRU	2
19	339114	SIDE COVER, WELD, PRO HRU	2
20	339116	FRONT COVER, WELD., PRO HRU	1
21	339270	TOP COVER, WELD., PRO HRU	1
22	339282	VENT STACK, DRAIN PAN DEVP., PRO HRU	1
23	339288	VENT STACK, WELD., PRO HRU	1
24	339291	FAN, ACCESS PANEL, PRO HRU	1
25	602436	FILL PIPING ASSEMBLY, HRU CONNECT, PRO HRU	1
26	602539-LR	PIPING ASSEMBLY, PRO-HRU COLD WATER FEED (Beginning with S/N RP20112954)	1
26a	602436	FILL PIPING ASSEMBLY, HRU CONNECT, PRO-HRU (Prior to S/N RP20112954)	1

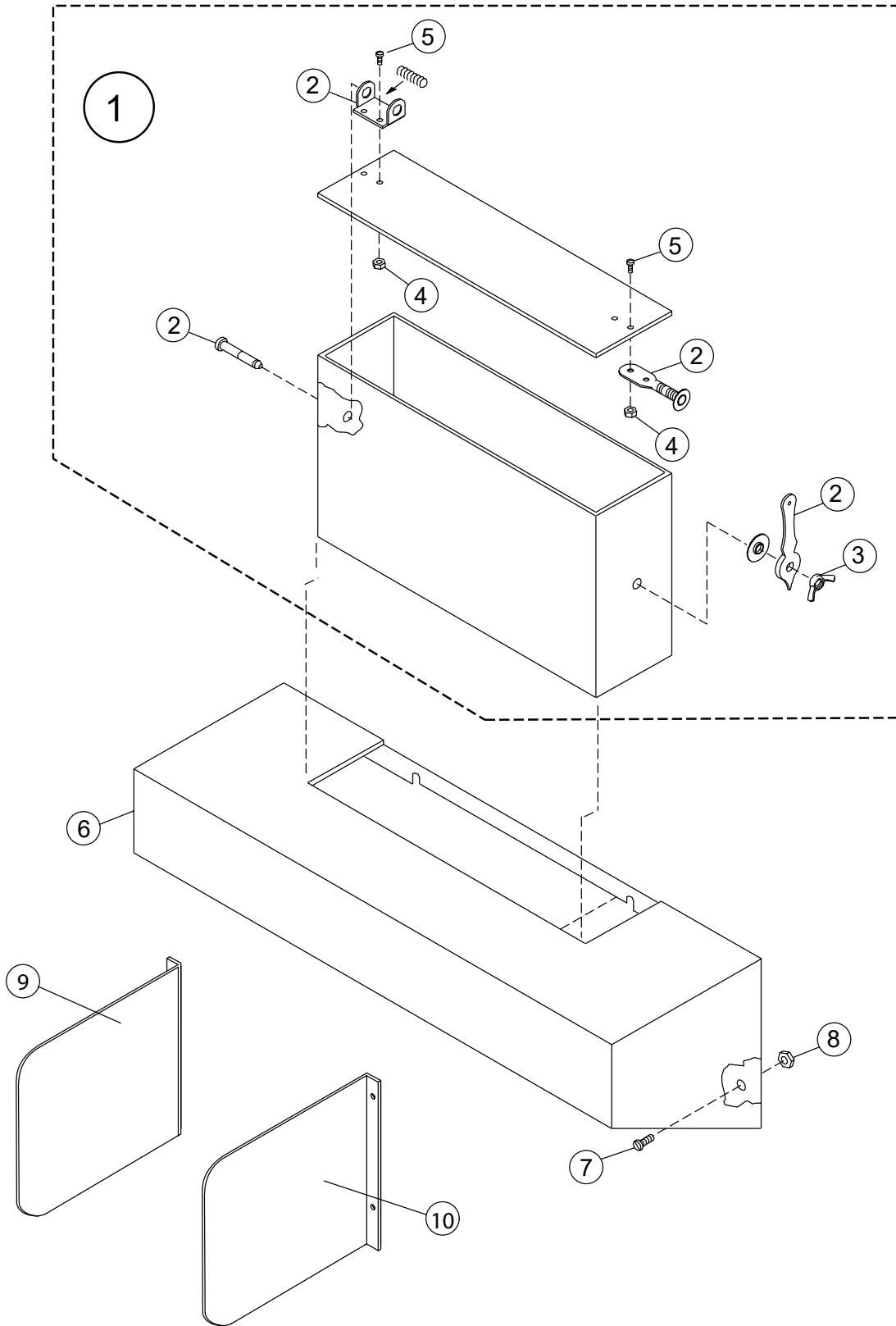
Heat Recovery Unit Vent Cowl



Heat Recovery Unit Vent Cowl

Item No.	Part No.	Description	Qty.
1	100003	HEX PLAIN NUT, 1/4-20 SST	13
2	100734	BOLT, HEX HEAD, 1/4-20 X 1/2" SST	12
3	106014	HEX ACORN PLAIN NUT, 1/4-20 SST	4
4	106026	WASHER, FLAT, 1/4" SST	29
5	106482	WASHER, LOCK, 1/4" SPLIT SST	20
6	108250	ROD, CURTAIN, 5/16 X 24-5/8", 304 SST	1
7	116964	CURTAIN, PRO HRU, VENT COWL, STD HT.	1
8	339106	VENT COWL, WELD., PRO HRU	1
9	339136-1	VENT COWL, EXT. WELD., STD. HT. PRO HRU - FAS	1
9a	339397-1	VENT COWL, EXT. WELD, HIGH HOOD, PRO HRU-FAS	1
10	339136-2	VENT COWL, EXT. WELD., STD. HT. PRO HRU - FOP	1
10a	339397-2	VENT COWL, EXT. WELD, HIGH HOOD, PRO HRU-FOP	1
11	339281	CONDENSATE, DRAIN PAN DEVP., PRO HRU	1

Standard Vent Cowl and Splash Shields



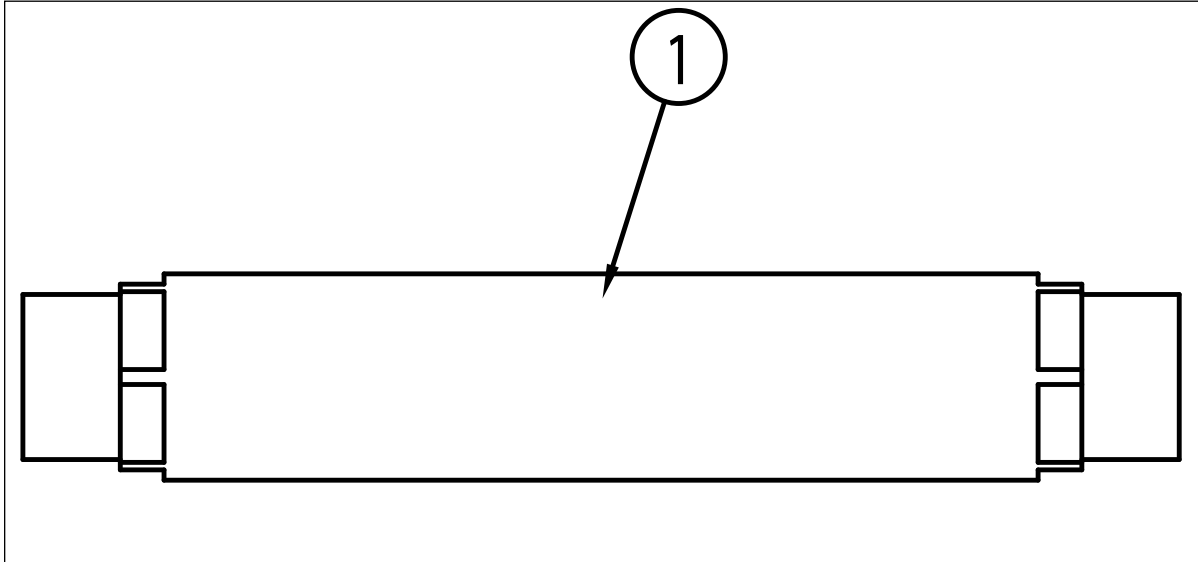
Standard Vent Cowl and Splash Shields

Item No.	Part No.	Description	Qty.
1	401487-S	VENT STACK ASSEMBLY, 4" X 16" (INCLUDES ITEMS 2-6)	2
2	201589	DAMPER, REGULATOR ASSEMBLY	2
3	112258	NUT, WING 1/4-20 SST	2
4	108954	NUT, GRIP 6-32 W/NYLON INSERT	8
5	104883	SCREW 6-32 X 3/8" ROUND HEAD	8
6	337597	VENT COWL, DEVP., SHORT, PRO RACK	2
7	100734	BOLT 1/4-20 X 1/2" HEX HEAD	4
8	100141	NUT GRIP 1/4-20 SST	8
9	328995-1	SHIELD, SPLASH LH	1
10	328995-2	SHIELD, SPLASH RH	1

Ion Water Conditioner/Drain Water Tempering Kit

ION WATER CONDITIONER

NOTE: CONTACT FACTORY FOR PROPER ION WATER CONDITIONER SIZE.



DRAIN WATER TEMPERING KIT

NOTE: THE KIT IS SHIPPED UNMOUNTED FOR FIELD INSTALLATION.



Ion Water Conditioner/Drain Water Tempering Kit

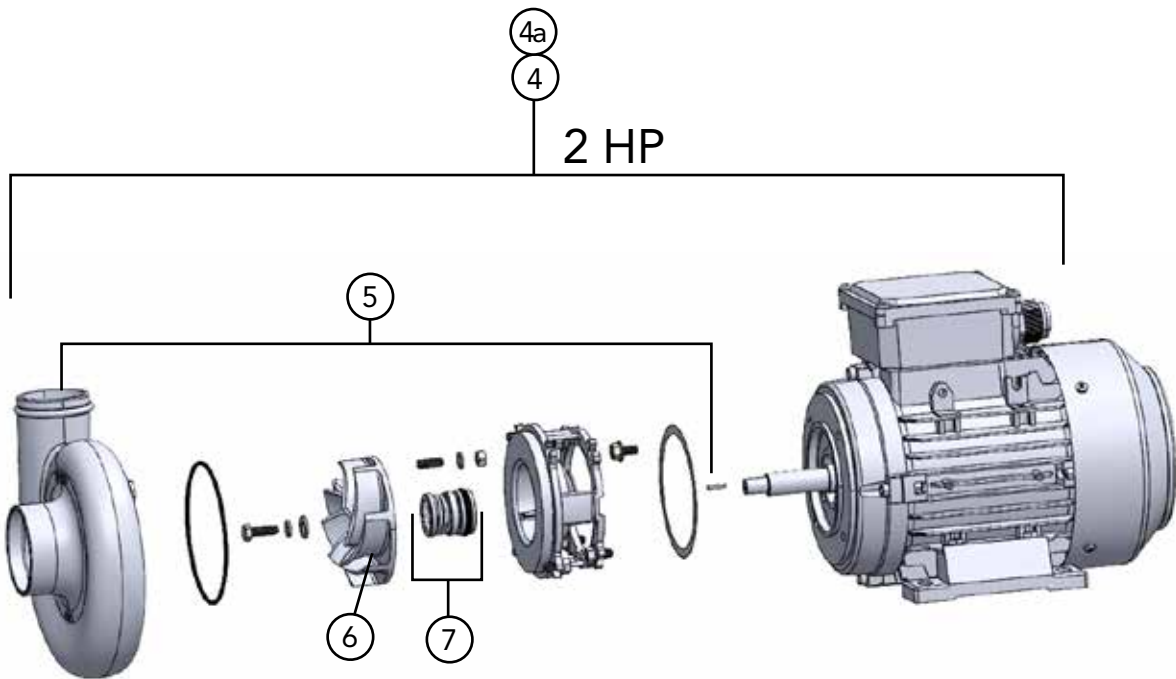
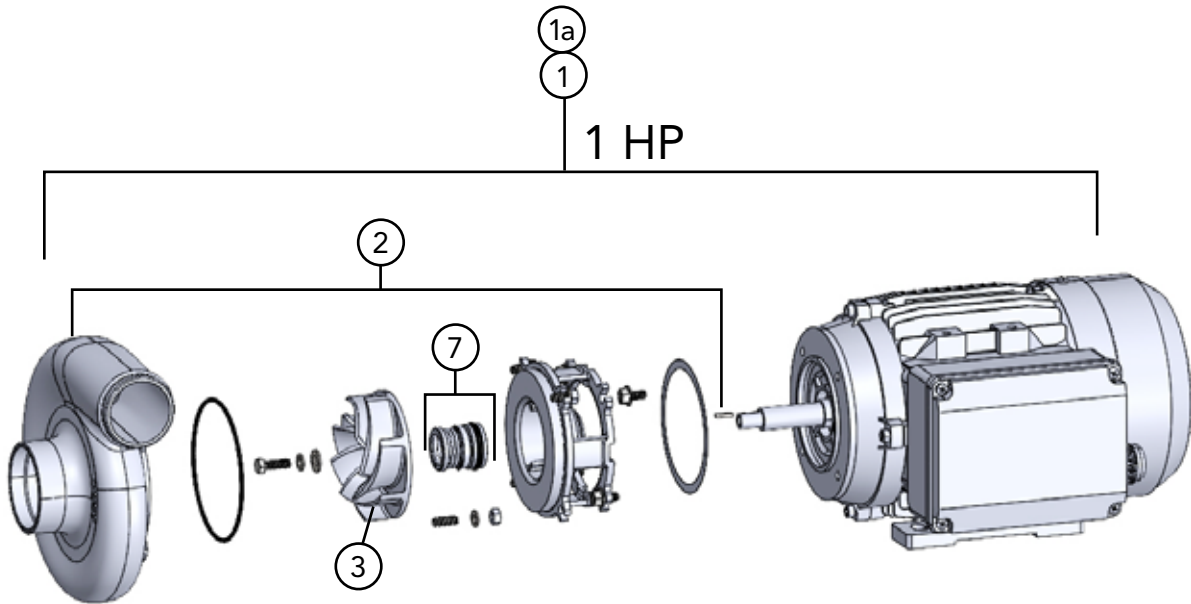
Item No.	Part No.	Description	Qty.
1	-----	WATER CONDITIONER, UNMOUNTED	1

NOTE: CONTACT FACTORY FOR PROPER ION WATER CONDITIONER SIZE.

DRAIN WATER TEMPERING KIT, P/N 116751

NOTE: THE KIT IS SHIPPED UNMOUNTED FOR FIELD INSTALLATION.

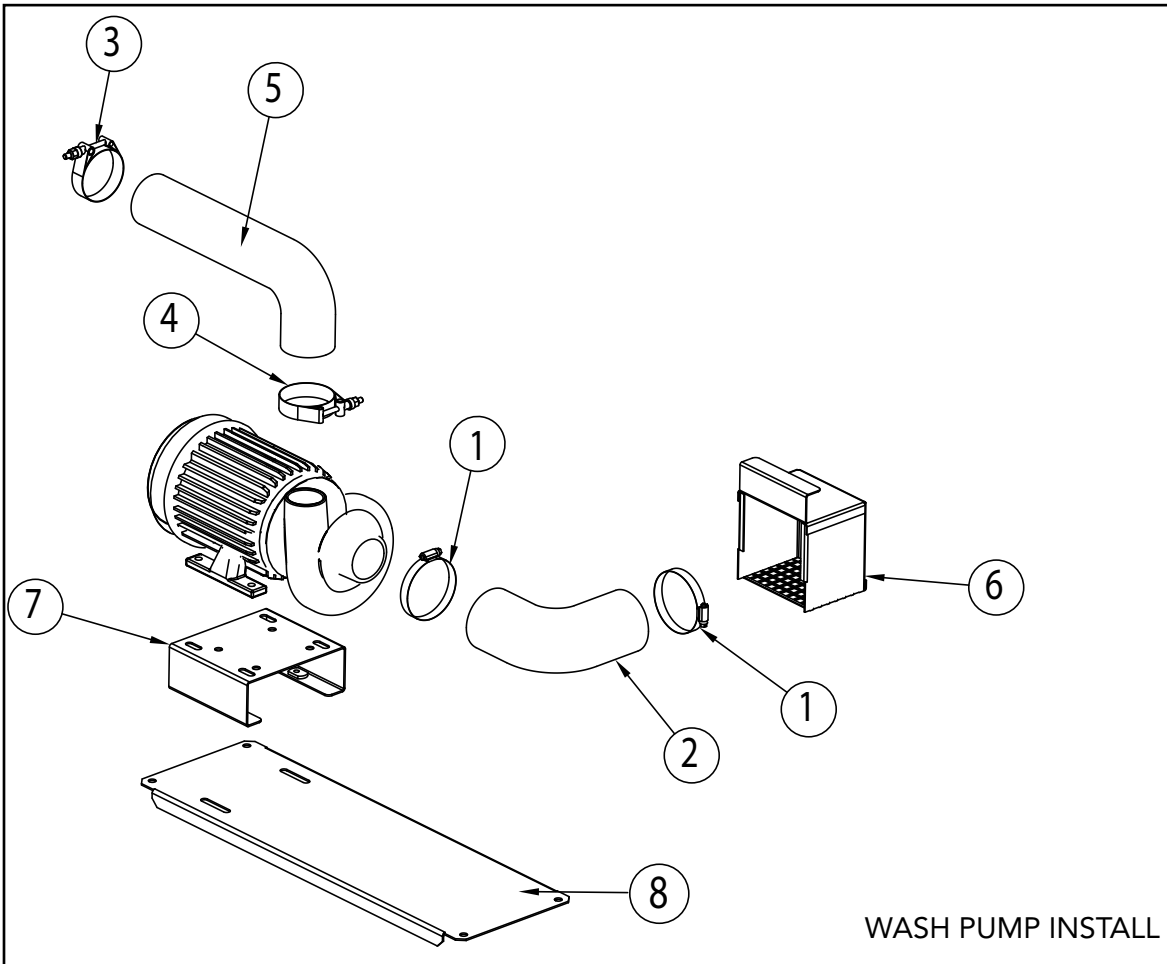
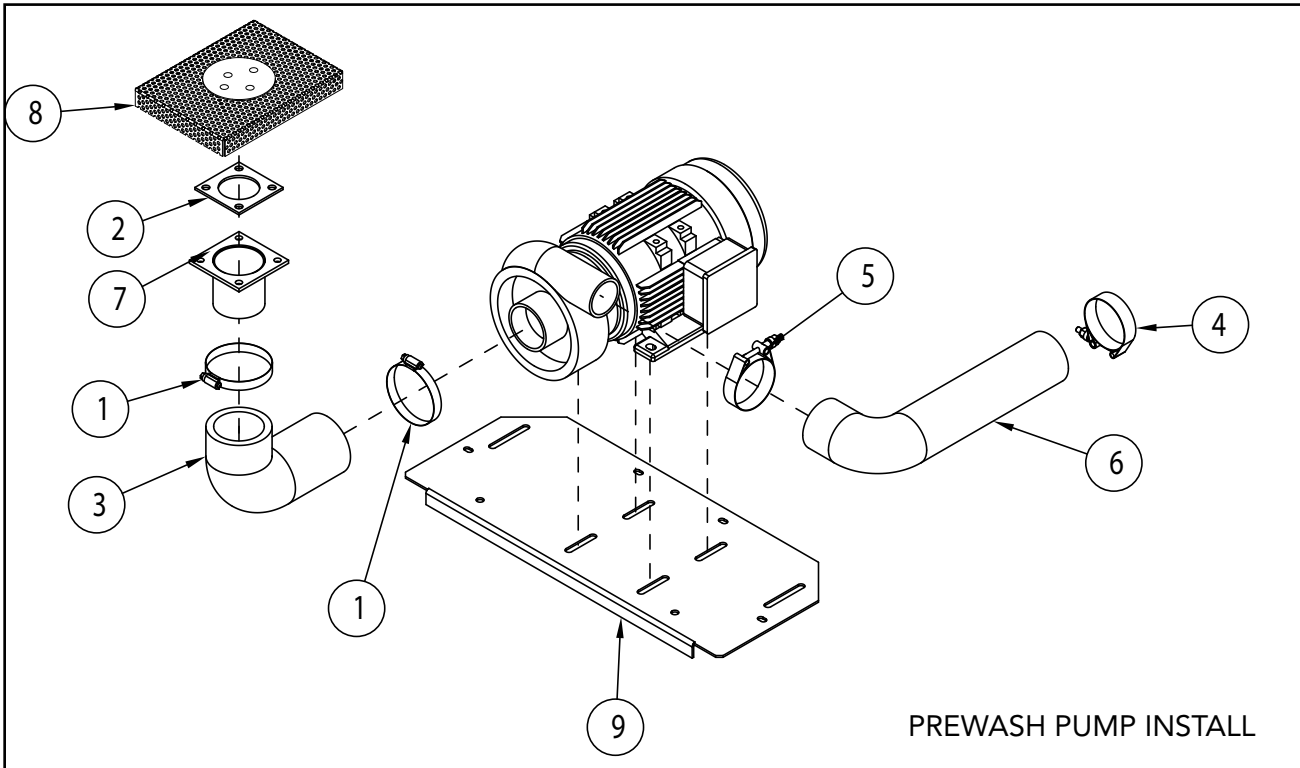
Three Phase Wash/Prewash Pump and Motor



Three Phase Wash/Prewash Pump and Motor

Item No.	Part No.	Description	Qty.
1	117150	PUMP/MOTOR 1HP, MV/3	1
1a	117151	PUMP/MOTOR 1HP, 575/3	1
4	117152	PUMP/MOTOR, 2HP, MV/3	1
4a	117153	PUMP/MOTOR 2HP, 575/3	1
3	117290	IMPELLER, 1HP	1
6	117291	IMPELLER, 2HP	1
2	117292	PUMP KIT, 1HP (EXCLUDES MOTOR)	1
5	117293	PUMP KIT, 2HP (EXCLUDES MOTOR)	1
7	117164	SEAL KIT, (FOR 1HP AND 2HP PUMPS)	A/R

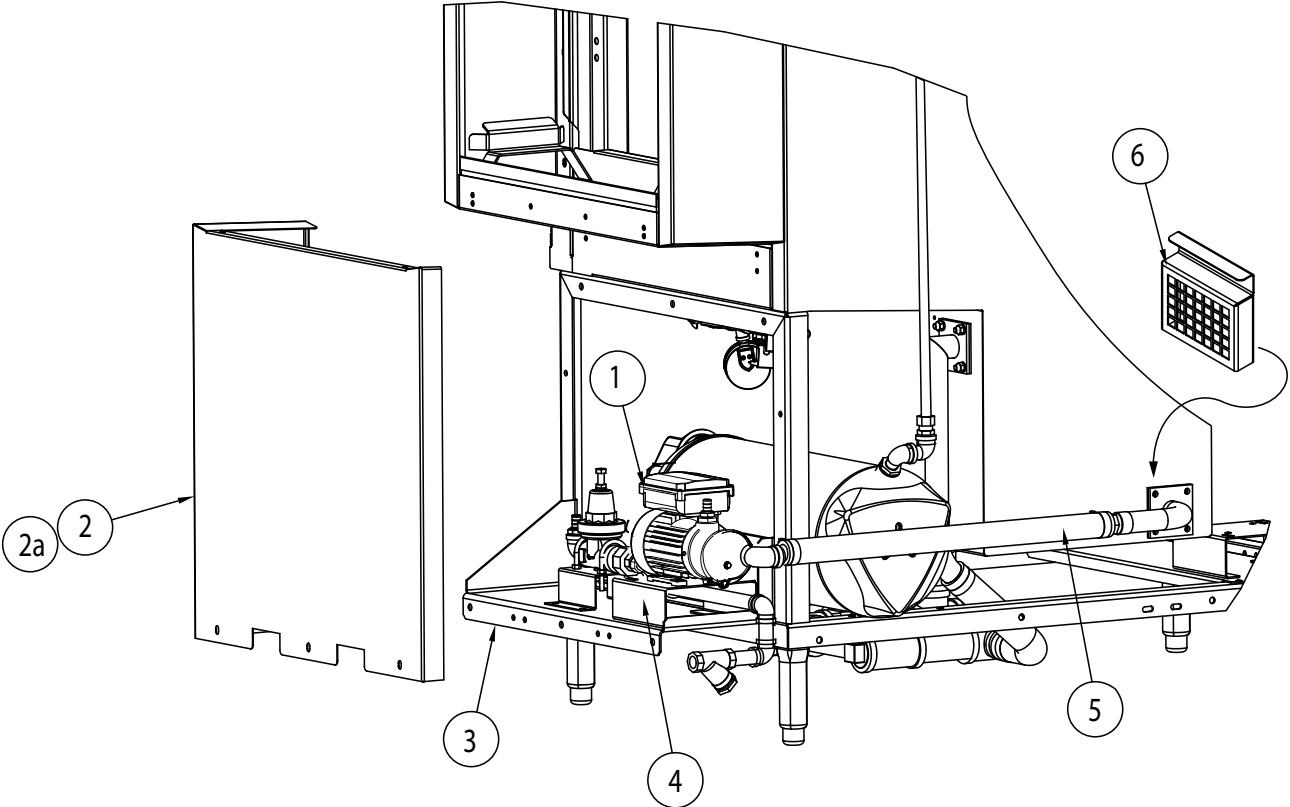
Pump Installations



Item No.	Part No.	Description	Qty.
PREWASH INSTALL			
1	104203	CLAMP, HOSE M52 GEAR-TYPE SST	2
2	108345	GASKET	1
3	109562	HOSE, PUMP SUCTION	1
4	110858	HOSE CLAMP, HIGH PRESSURE, T-BOLT	1
5	111964	HOSE CLAMP, HIGH PRESSURE, T-BOLT	1
6	113731	HOSE, PUMP DISCHARGE	1
7	307995	FLANGE, SUCTION	1
8	324580	SCREEN, SUCTION	1
9	337209	PLATE, PUMP MOTOR SUPPORT 22PRO	1

WASH INSTALL			
1	104203	CLAMP, HOSE M52 GEAR-TYPE SST	2
2	110372	HOSE, PUMP SUCTION	1
3	110858	HOSE CLAMP, HIGH PRESSURE, T-BOLT	1
4	111964	HOSE CLAMP, HIGH PRESSURE, T-BOLT	1
5	113731	HOSE, PUMP DISCHARGE	1
6	319742	HOOD, PUMP SUCTION	1
7	337060	BRACKET, PUMP MOTOR SUPPORT	1
8	337068	PLATE, PUMP MOTOR SUPPORT	1

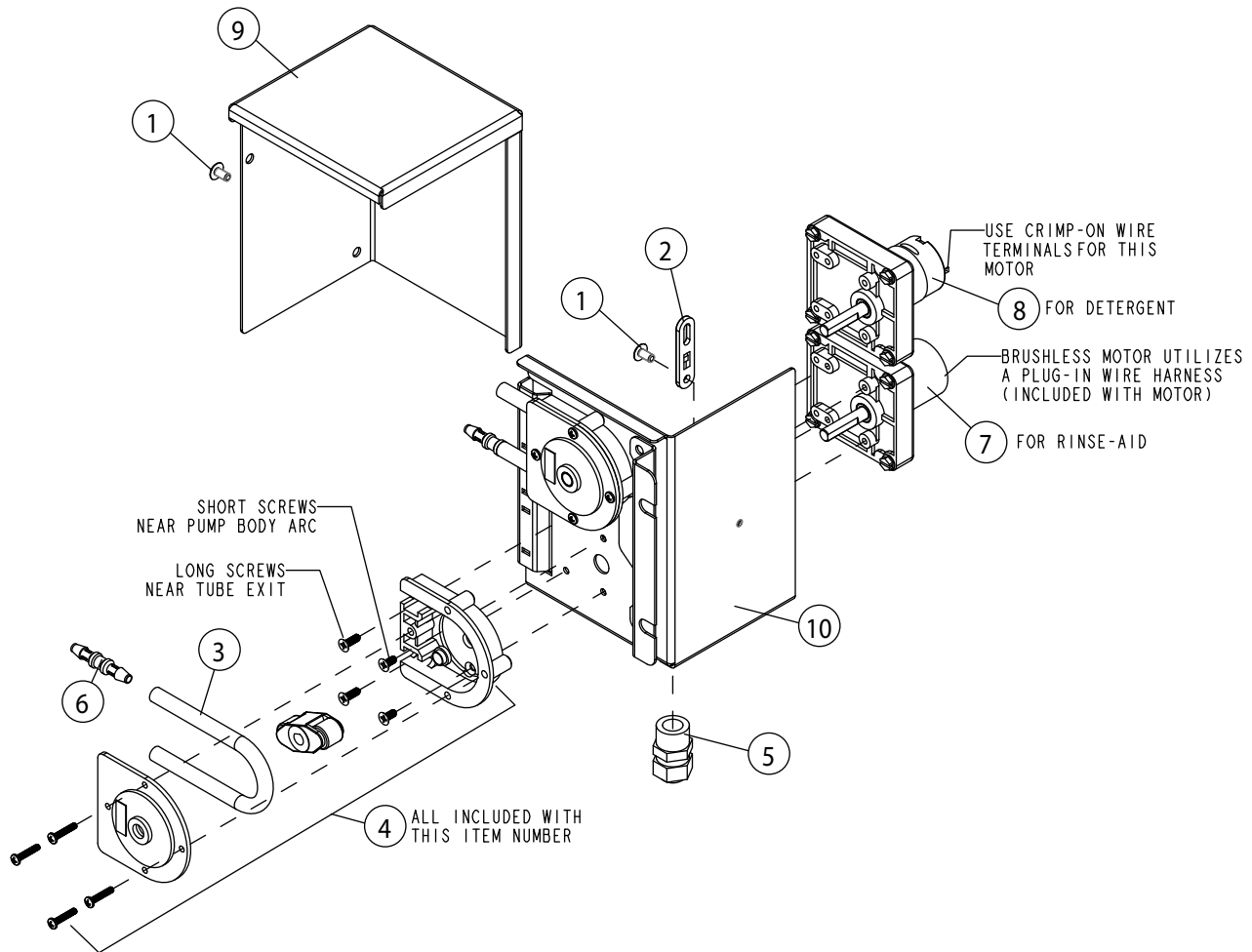
VHR Recirculation Pump Installation



VHR Recirculation Pump Installation

Item No.	Part No.	Description	Qty.
1	117253	VHR RECIRC PUMP/MOTOR ASSY., 1/6HP, 115V/60/1	1
2	337332	PANEL, RECIRC PUMP COVER LR, FAS	1
2a	337332-2	PANEL, RECIRC PUMP COVER RL, FOP	1
3	337331	BASE, RECIRC PUMP	1
4	337060	BRACKET, PUMP SUPPORT	1
5	207560	HOSE, SUCTION VHR 1" ID X 21-1/4" LG. RED	1
6	337674	STRAINER, RECIRC PUMP SUCTION	1

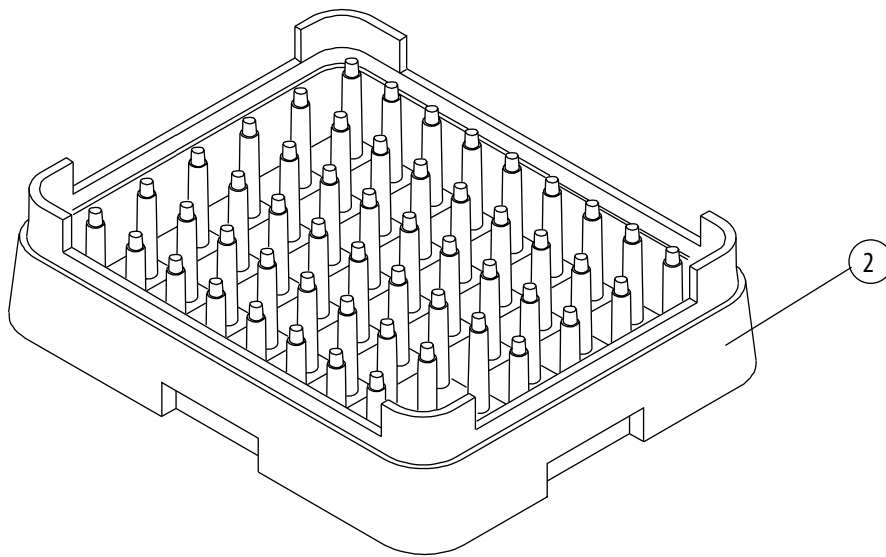
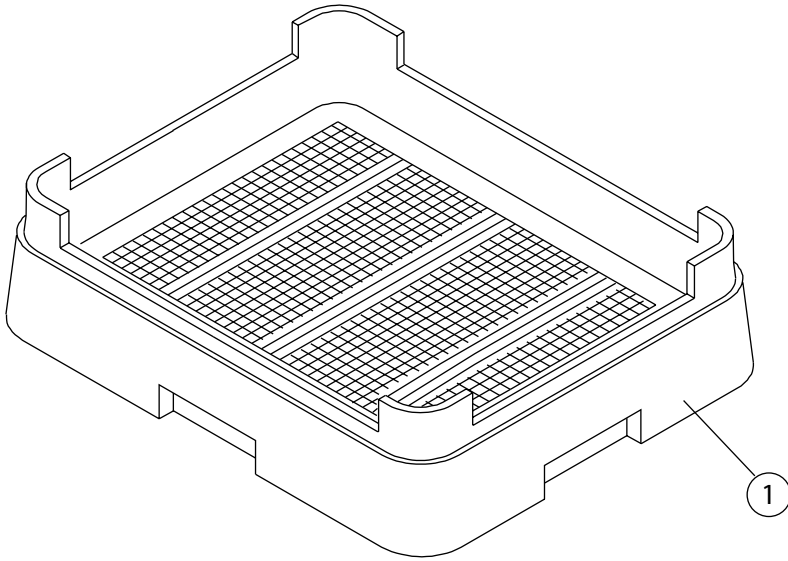
Chemical Pump Assembly (Beginning with S/N RP20102891)



Chemical Pump Assembly (Beginning with S/N RP20102891)

Item No.	Part No.	Description	Qty.
1	100007	SCREW, TRUSS HEAD, 10-32 X 3/8" SST	3
2	106090	PLATE, TIE, TP-2	1
3	114202	TUBE, SANTOPRENE, TPE6ON, 3/16" X 3/8" X 9" LG.	2
4	114203	HEAD, PUMP, PERISTALTIC KIT WITH ROLLERS	2
5	114365	CORD, GRIP LIQUID TITE, W/LOCKNUT, 1/2" NPT	1
6	116979	BARB, HOSE, 1/4" TO 1/4" POLYETHYLENE	2
7	117112	GEARMOTOR, PERISTALTIC PUMP, 16RPM, 24VDC	1
8	117241	GEARMOTOR, PERISTALTIC PUMP, 53RPM, 24VDC	1
9	339646	COVER, CHEMICAL PUMP, PRO	1
10	339647	BOX, CHEMICAL PUMP, PRO	1

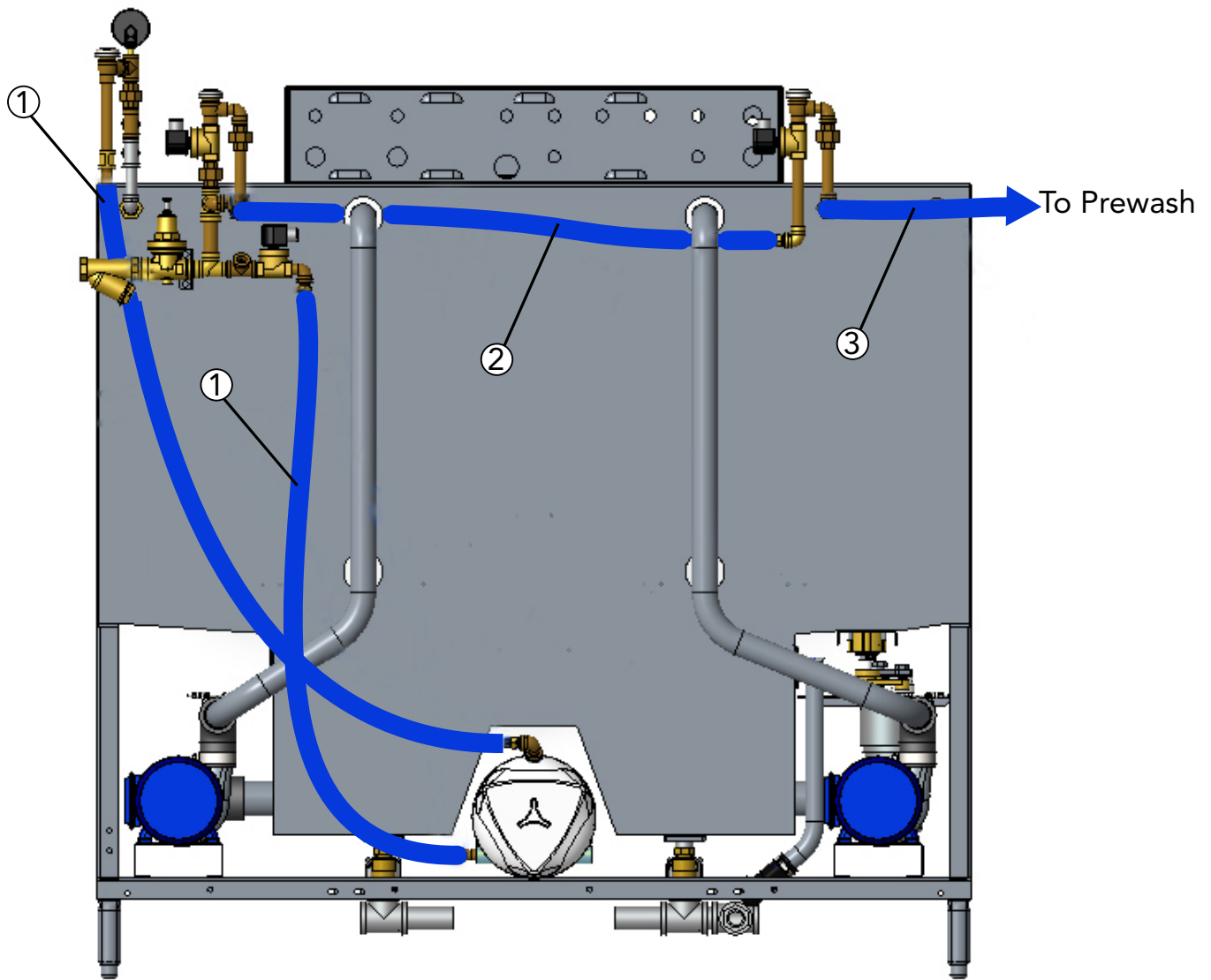
Dish Racks



Dish Racks

Item No.	Part No.	Description	Qty.
1	101273	DISH RACK, FLAT-BOTTOM	A/R
2	101285	DISH RACK, PEG	A/R
-	114356	RACK, SHEET PAN, OPEN END (Not Shown)	A/R

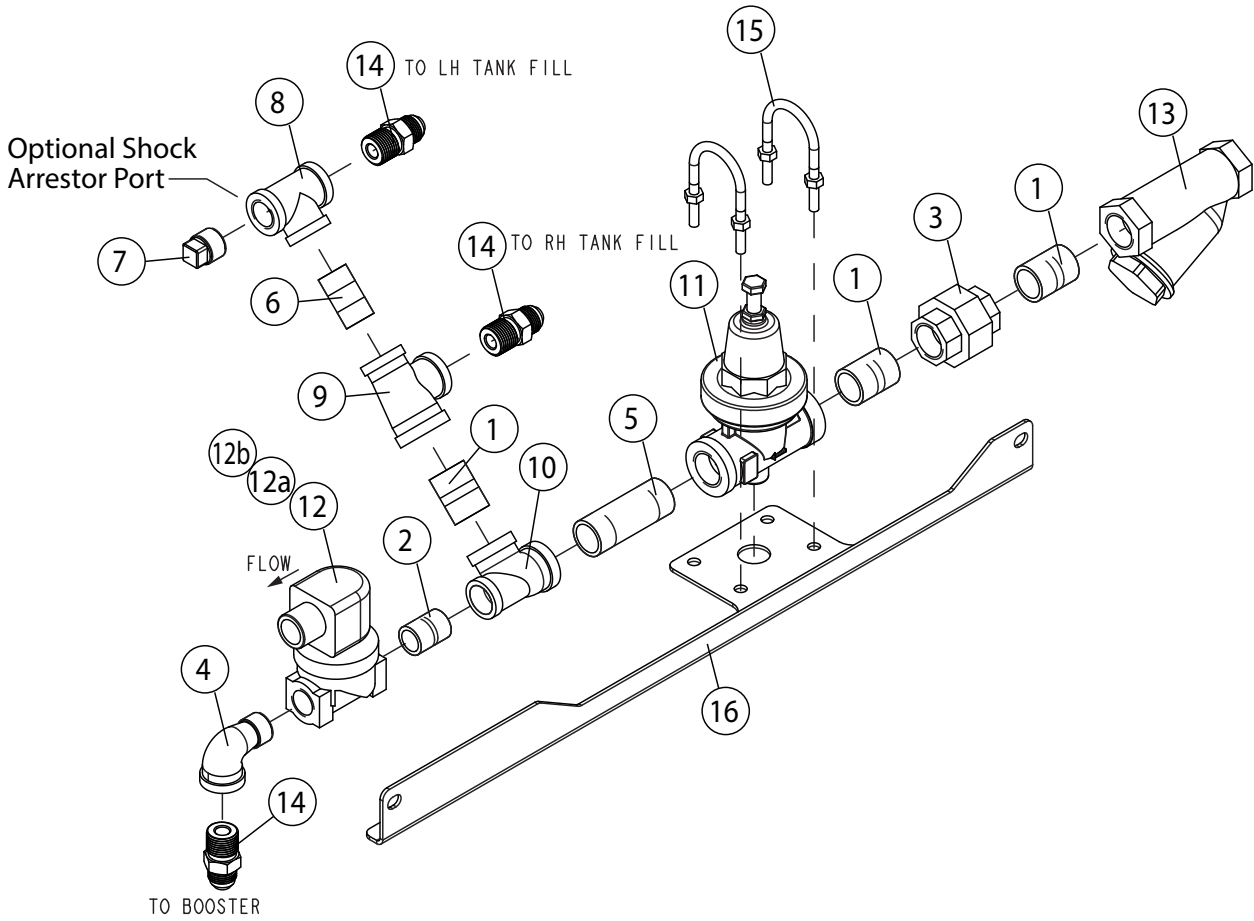
64PRO Standard Hose Plumbing Diagram (Prior to S/N RP20112924)



64PRO Standard Hose Plumbing Diagram (Prior to S/N RP20112924)

Item No.	Part No.	Description	Qty.
1	419012	HOSE ASSY., 1/2"ID, X 60" LG., FLARE JIC	2
2	421091	HOSE ASSY., 1/2"ID, X 39" LG., FLARE JIC	1
3	419228	HOSE ASSY., 1/2" ID, X 12" LG., FLARE JIC	1

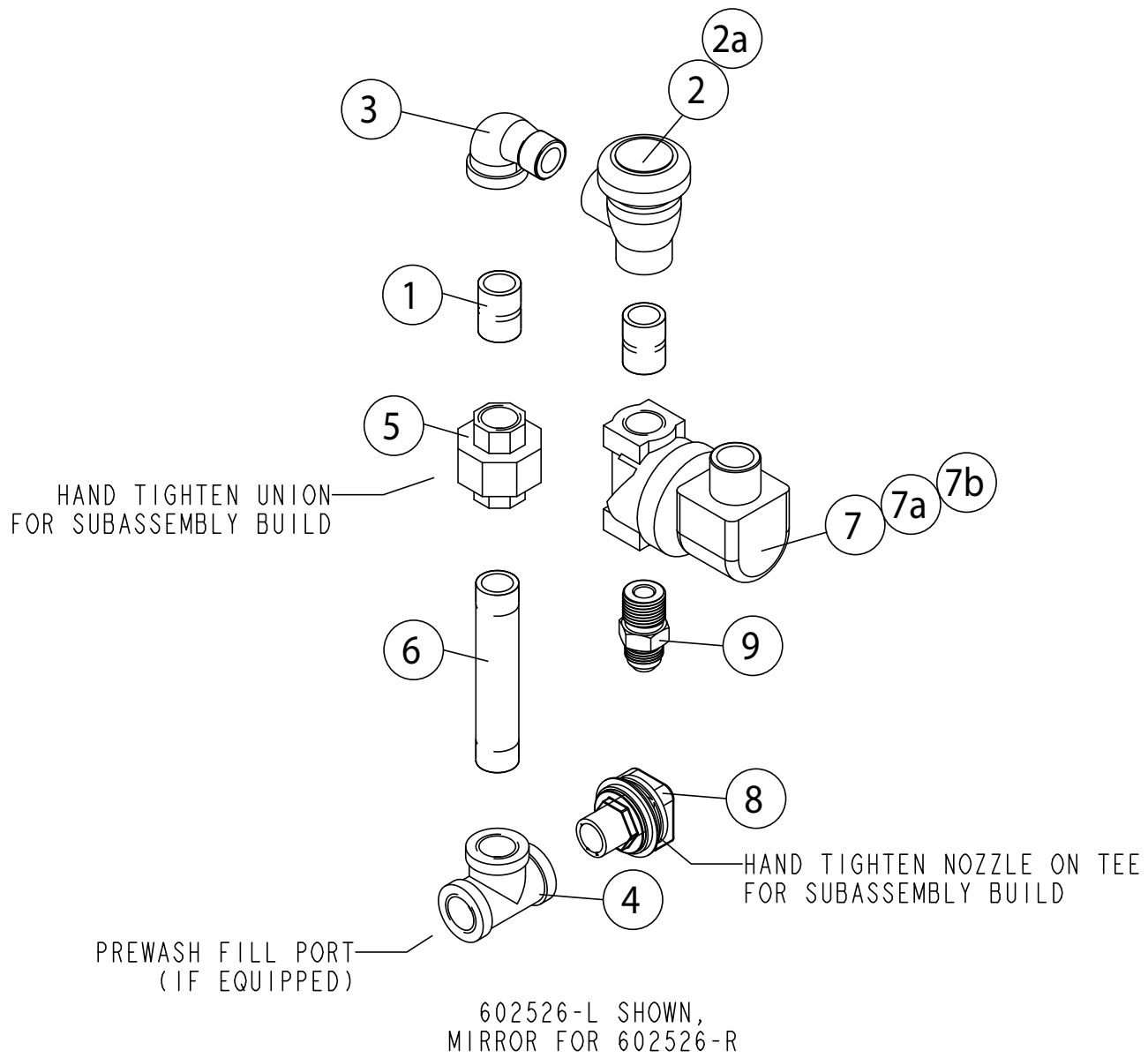
64PRO Main Piping Assembly with Booster (Beginning with S/N RP20112924)



64PRO Main Piping Assembly with Booster (Beginning with S/N RP20112924)

Item No.	Part No.	Description	Qty.
1	100184	NIPPLE, 3/4" NPT X CLOSE, BRASS	3
2	100209	NIPPLE, 1/2" NPT X CLOSE, BRASS	1
3	100571	UNION, 3/4" NPT, BRASS	1
4	102438	ELBOW, STREET, 1/2" NPT X 90°, BRASS	1
5	102469	NIPPLE, 3/4" NPT X 2-3/4" LG. BRASS	1
6	102485	NIPPLE, 1/2" NPT X 1-1/2" LG. BRASS	1
7	102504	PLUG, 1/2" NPT, SQ. HEAD, BRASS	1
8	102514	TEE, 1/2" NPT, BRASS	1
9	102524	TEE, RED., 3/4" X 1/2" X 1/2" NPT, BRASS	1
10	102525	TEE, RED., 3/4" X 1/2" X 3/4" NPT BRASS	1
11	107550	VALVE, PRESSURE, REGULATING, 3/4" NPT, BRONZE	1
12	109886	VALVE, SOLENOID, 1/2" NPT HW PARKER	1
12a	109902	KIT, REPAIR VALVE, 1/2"	A/R
12b	108516	COIL, SOLENOID VALVE, 1/2" 120VAC	A/R
13	110768	STRAINER, LINE, 3/4" NPT BRASS	1
14	115101	COUPLING, MALE, 1/2" NPT X 1/2" 37D FLARE JIC, BR	3
15	115169	U-BOLT, 1/4-20 X 1-3/8" LG. THREADED, X 1/2" OD	2
16	339984	BRACKET, MOUNTING, MAIN CONNECT PLBG.	1

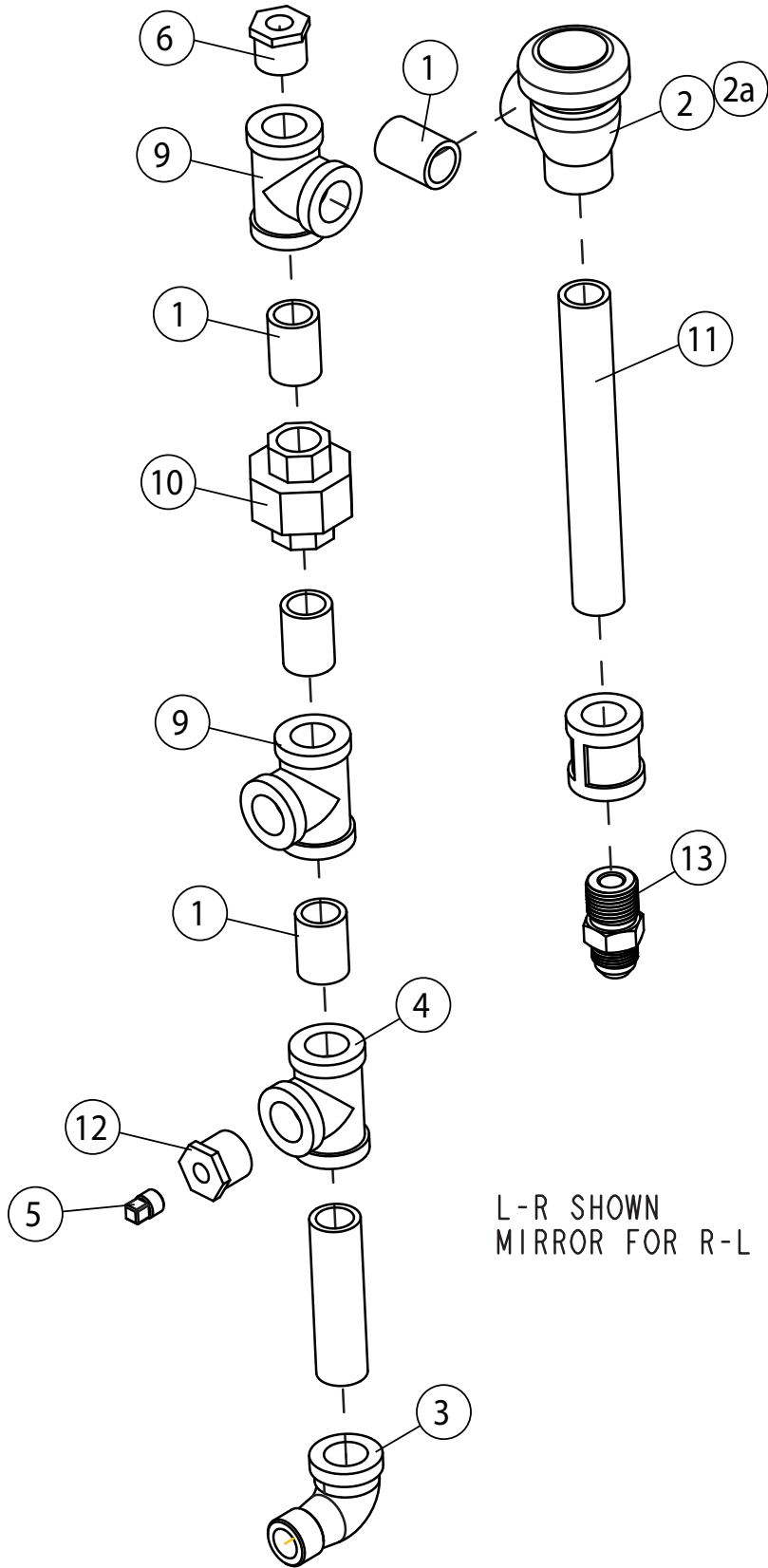
64PRO Fill Piping Assembly (Beginning with S/N RP20112924)



64PRO Fill Piping Assembly (Beginning with S/N RP20112924)

Item No.	Part No.	Description	Qty.
1	100209	NIPPLE, 1/2" NPT X CLOSE, BRASS	2
2	100500	BREAKER, VACUUM, 1/2" NPT, BRONZE	1
2a	900836	KIT, VACUUM BREAKER, 1/2"	A/R
3	102438	ELBOW, STREET, 1/2" NPT X 90°, BRASS	1
4	102514	TEE, 1/2" NPT, BRASS	1
5	102549	UNION, 1/2" NPT, BRASS	1
6	102571	NIPPLE, 1/2" NPT, BRASS	1
7	109886	VALVE, SOLENOID, 1/2" NPT, HW PARKER	1
7a	109902	KIT, REPAIR VALVE, 1/2"	A/R
7b	108516	COIL, SOLENOID VALVE, 1/2", 120VAC	A/R
8	111325	NOZZLE, FLUSHING, POLISHED CHROME	1
9	115101	COUPLING, MALE, 1/2" NPT X 1/2" 37D FLARE JIC, BR	1

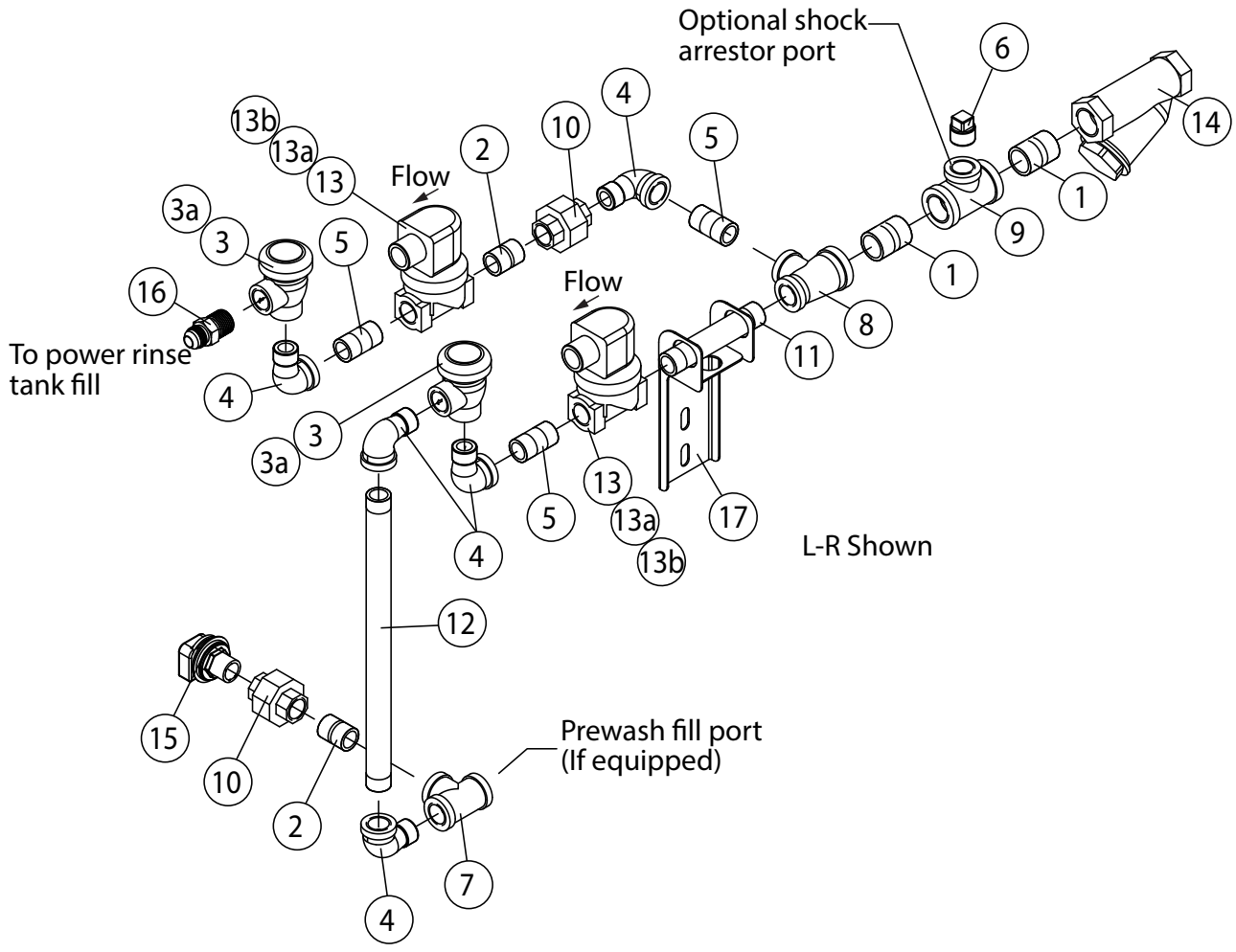
64PRO Final Rinse Piping Assembly (Beginning with S/N RP20112924)



64PRO Final Rinse Piping Assembly (Beginning with S/N RP20112924)

Item No.	Part No.	Description	Qty.
1	100209	NIPPLE, 1/2" NPT X CLOSE, BRASS	4
2	100500	BREAKER, VACUUM, 1/2" NPT, BRONZE	1
2a	900836	KIT, VACUUM BREAKER, 1/2"	A/R
3	100516	STREET, ELBOW, 1/2" NPT X 90°, SST	1
4	100554	TEE, 1/2" NPT SST	1
5	101259	PLUG, 1/8" NPT SQ. HEAD, BRASS	1
6	102388	BUSHING, REDUCING, 1/2" NPT X 1/4" NPT BRASS	1
7	102412	COUPLING, BRASS	1
8	102463	NIPPLE, 1/2" NPT X 3" LG. SST	1
9	102514	TEE, 1/2" NPT, BRASS	2
10	102549	UNION, 1/2" NPT, BRASS	1
11	102578	NIPPLE, 1/2" NPT X 6" LG., BRASS	1
12	114717	BUSHING, REDUCING, 1/2" NPT X 1/8" NPT, SST	1
13	115101	COUPLING, MALE, 1/2" NPT X 1/2" 37D FLARE JIC, BR	1

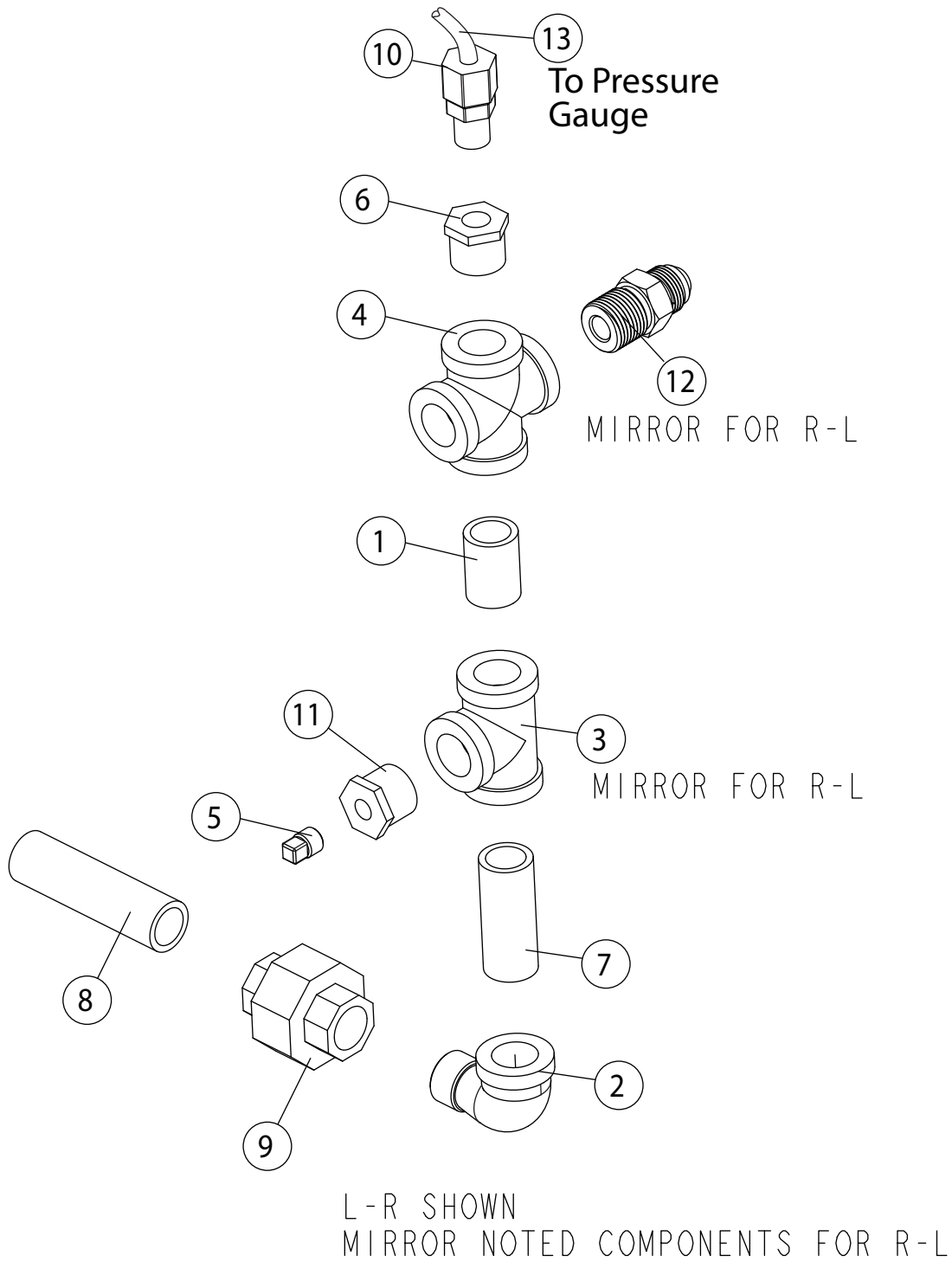
64PRO-VHR Fill Piping Assembly All 64PRO-VHR S/N's



64PRO-VHR Fill Piping Assembly (All 64PRO-VHR S/N's)

Item No.	Part No.	Description	Qty.
1	100184	NIPPLE, 3/4" NPT X CLOSE, BRASS	2
2	100209	NIPPLE, 1/2" NPT X CLOSE, BRASS	2
3	100500	BREAKER, VACUUM, 1/2" NPT BRONZE	2
3a	900836	KIT, VACUUM BREAKER, 1/2"	A/R
4	102438	ELBOW, STREET, 1/2" NPT X 90° BRASS	2
5	102485	NIPPLE, 1/2" NPT X 1-1/2" LG. BRASS	5
6	102504	PLUG, 1/2" NPT, SQ. HEAD, BRASS	1
7	102514	TEE, 1/2" NPT, BRASS	1
8	102524	TEE, RED. 3/4" X 1/2" X 1/2" NPT, BRASS	1
9	102526	TEE, RED. 3/4" X 3/4" X 1/2" NPT, BRASS	1
10	102549	UNION, 1/2" NPT, BRASS	2
11	102571	NIPPLE, 1/2" NPT X 4-1/4" LG., BRASS	1
12	102594	NIPPLE, 1/2" NPT X 12" LG., BRASS	1
13	109886	VALVE, SOLENOID, 1/2" NPT, HW PARKER	2
13a	109902	KIT, REPAIR VALVE, 1/2"	A/R
13b	108516	COIL, SOLENOID VALVE, 1/2" 120VAC	A/R
14	110768	STRAINER, LINE, 3/4" NPT BRASS	1
15	111325	NOZZLE, FLUSHING, POLISHED CHROME	1
16	115101	COUPLING, MALE, 1/2" NPT X 1/2" 37D, FLARE JIC, BR	1
17	339983	BRACKET, FILL PIPING/VACUUM BREAKER	1

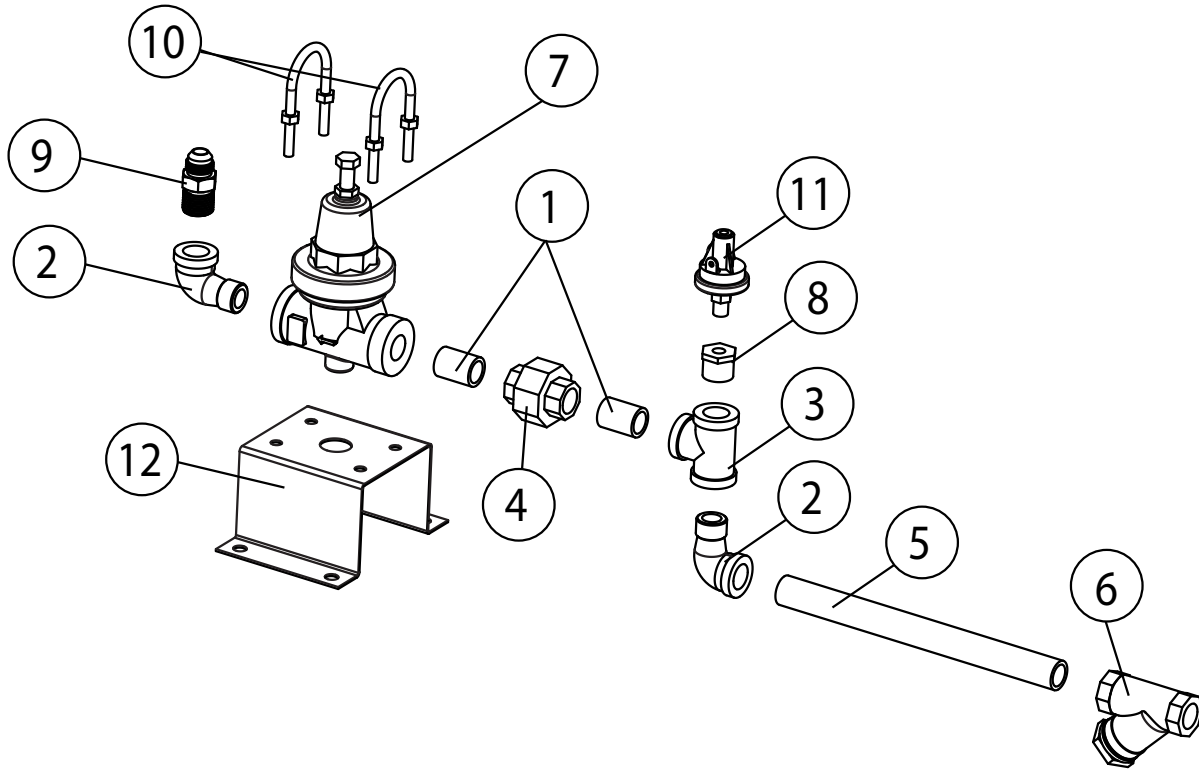
64PRO-VHR Final Rinse Piping Assembly (Beginning S/N-TBD)



64PRO-VHR Final Rinse Piping Assembly (Beginning S/N-TBD)

Item No.	Part No.	Description	Qty.
1	100209	NIPPLE, 1/2" NPT, X CLOSE, BRASS	1
2	100516	STREET, ELBOW, 1/2" NPT X 90°, SST	1
3	100554	TEE, 1/2" NPT, SST	1
4	100598	CROSS, 1/2" NPT, BRASS	1
5	101259	PLUG, 1/8" NPT SQ. HEAD, BRASS	1
6	102388	BUSHING, REDUCING, 1/2" NPT X 1/4" NPT, BRASS	1
7	102461	NIPPLE, 1/2"NPT X 2" LG., SST	1
8	102463	NIPPLE, 1/2" NPT X 3" LG. SST	1
9	102550	UNION, 1/2" NPT, SST	1
10	107065	ADAPTER, 1/4" OD X 1/4" MPT, PLASTIC	1
11	114717	BUSHING, REDUCING, 1/2" NPT X 1/8" NPT SST	1
12	115101	COUPLING, MALE, 1/2" NPT X 1/2" 37D, FLARE JIC, BR	1
13	107414	TUBING, 1/4" HIGH DENSITY	8 FT.

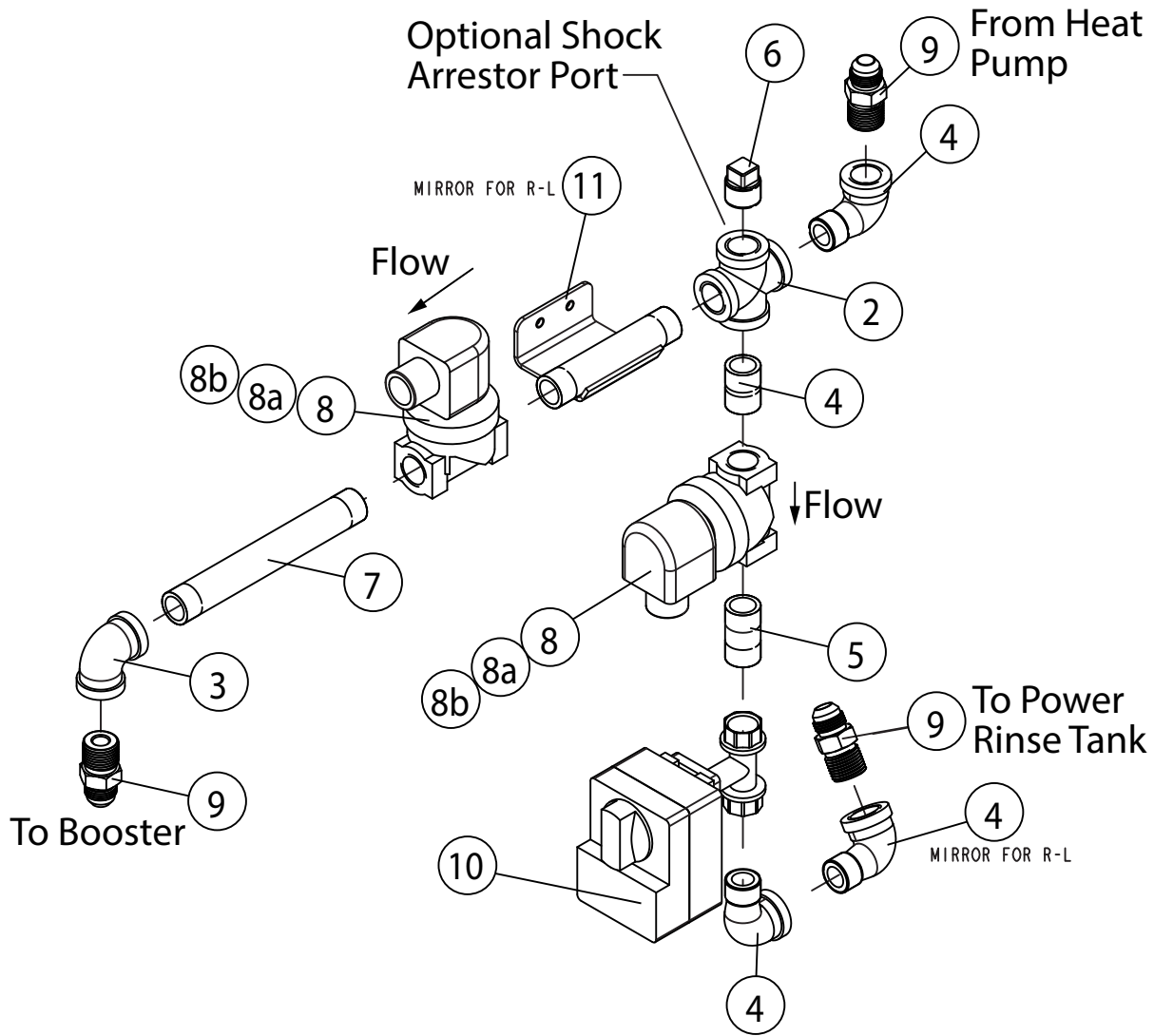
64PRO-VHR Heat Pump Cold Water Inlet (Beginning S/N-TBD)



64PRO-VHR Heat Pump Cold Water Inlet (Beginning S/N-TBD)

Item No.	Part No.	Description	Qty.
1	100209	NIPPLE, 1/2" NPT, X CLOSE, BRASS	2
2	102438	ELBOW, STREET, 1/2" X 90°, BRASS	2
3	102514	TEE, 1/2" NPT, BRASS	1
4	102549	UNION, 1/2" NPT, BRASS	1
5	102585	NIPPLE, 1/2" NPT X 9" LG., BRASS	1
6	104421	STRAINER, LINE 1/2" NPT, BRONZE	1
7	108265	VALVE, PRESSURE REGULATING, 1/2" NPT , BRONZE	1
8	114717	BUSHING, REDUCING, 1/2" NPT X 1/8" NPT , SST	1
9	115101	COUPLING, MALE, 1/2" NPT X 1/2" 37D, FLARE JIC, BR	1
10	115169	U-BOLT, 1/4-20 X 1-3/8" LG. THREADED, X 1-1/2" OD	2
11	117073	SWITCH, PRESSURE, 15 PSI SET POINT, 1/8" MNPT NO	1
12	339878	BRACKET, PRV SUPPORT, CW	1

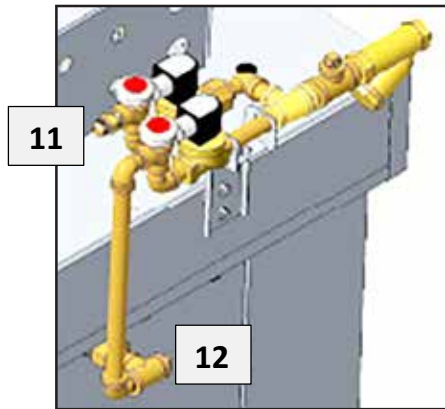
64PRO-VHR Auto-modulating Discharge Valve Piping Assembly (Beginning S/N-TBD)



64PRO-VHR Auto-modulating Discharge Valve Piping Assembly (Beginning S/N-TBD)

Item No.	Part No.	Description	Qty.
1	100209	NIPPLE, 1/2" NPT, X CLOSE, BRASS	2
2	100598	CROSS, 1/2" NPT BRASS	1
3	102435	ELBOW, 1/2" NPT X 90°, BRASS	1
4	102438	ELBOW, STREET, 1/2" NPT X 90°, BRASS	3
5	102485	NIPPLE, 1/2" NPT X 1-1/2" LG. BRASS	1
6	102504	PLUG, 1/2" NPT SQ. HEAD, BRASS	1
7	102578	NIPPLE, 1/2" NPT X 6" LG. BRASS	1
8	109866	VALVE, SOLENOID, 1/2"NPT, HW PARKER	2
8a	109902	KIT, REPAIR VALV10000E, 1/2"	A/R
8b	108516	COIL, SOLENOID VALVE, 120VAC	A/R
9	115101	COUPLING, MALE, 1/2" NPT X 1/2" 37D, FLARE JIC, BR	3
10	116935	VALVE, MODULATING, DISCHARGE, VHR	1
11	339880	MOUNT, BASE, PRO PIPING ASSEMBLY	1

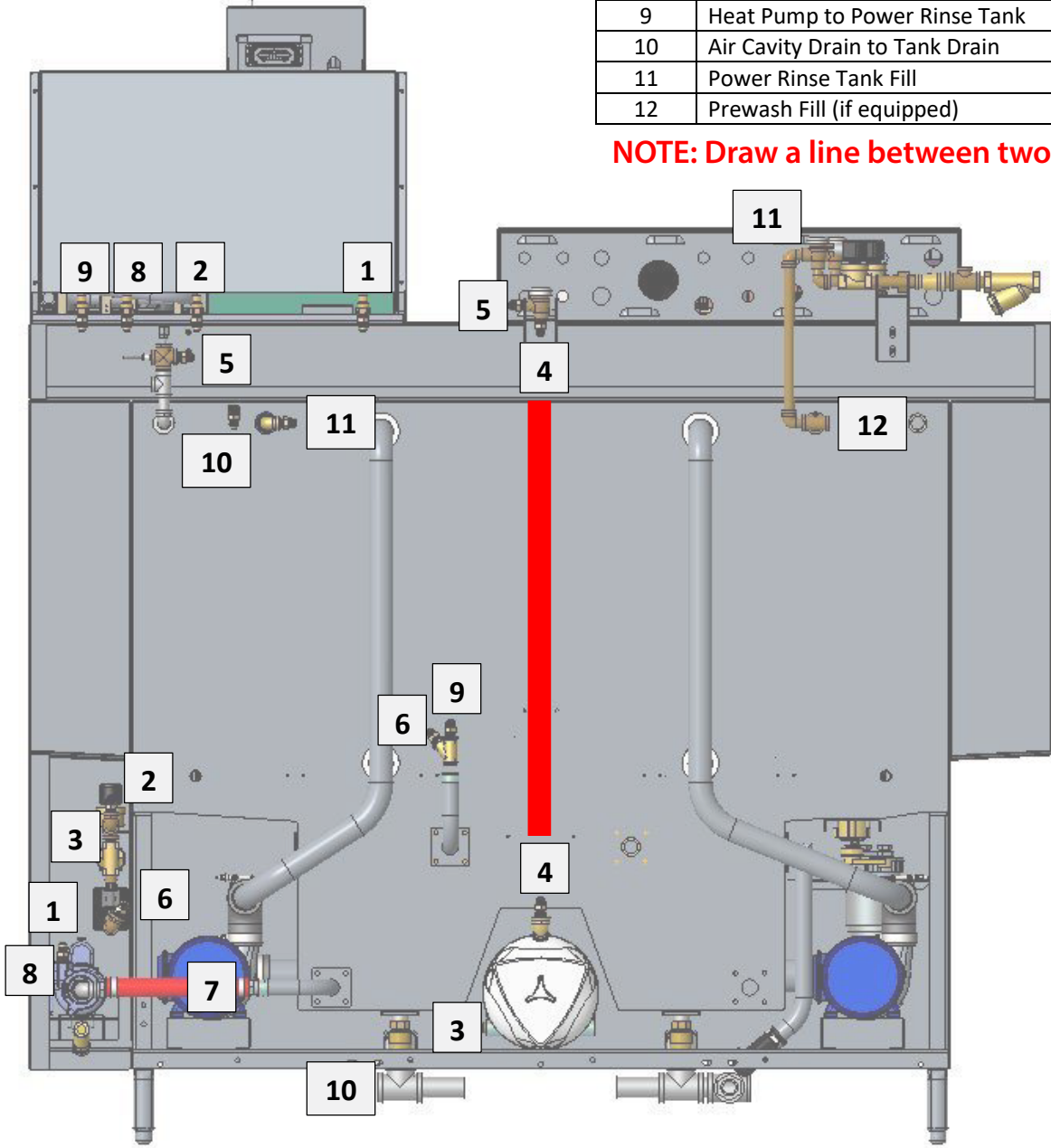
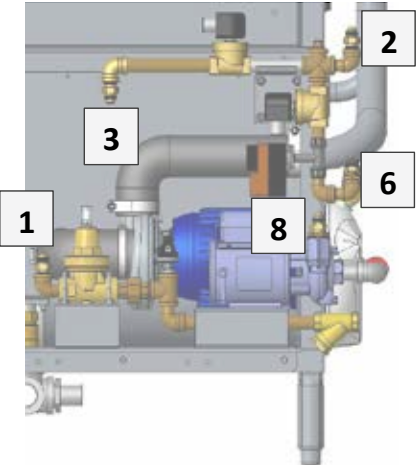
**This Page
Intentionally
Left Blank**



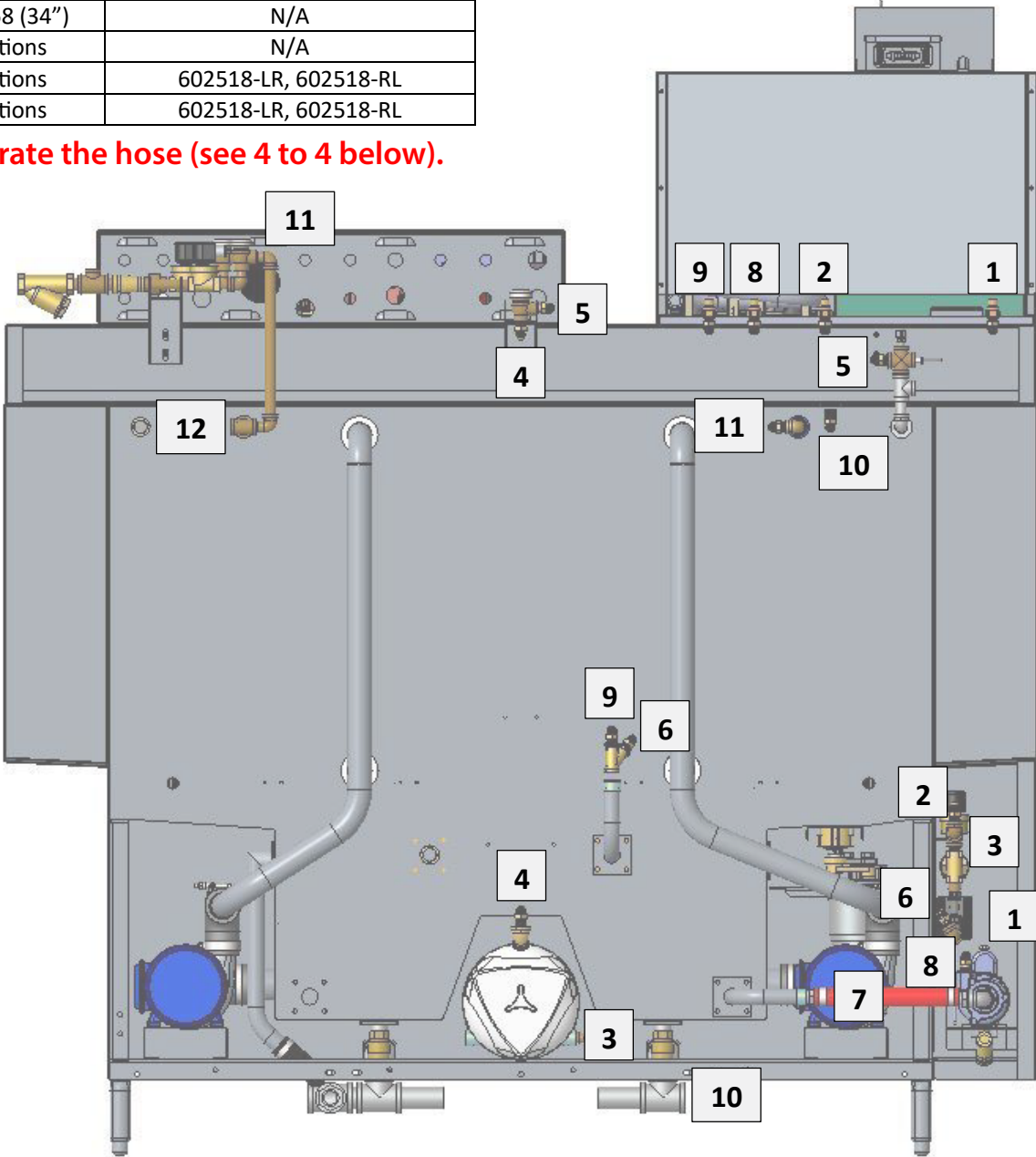
64PRO-VHR Hose Plumbing Diagram

Hose #	Hose Description	L-R Machine	R-L Machine	Reference Piping Drawings
1	Cold Inlet to Heat Pump	419007 (70")	419973 (64")	602513
2	Heat Pump to FR/Mod Valve Piping	420537 (40") both directions		602517
3	FR/Mod Valve Piping to Booster	419468 (34") both directions		602517
4	Booster to FR Vacuum Breaker	419469 (48") both directions		421300
5	FR Vacuum Breaker to FR Piping	421079 (25") both directions		602522
6	Modulating Valve to Power Rinse Tank	421043 (30") both directions		602517
7	Power Rinse Tank to Recirculation Pump	207823 (11-1/4") both directions		N/A
8	Recirculation Pump to Heat Pump	420533 (50") both directions		N/A
9	Heat Pump to Power Rinse Tank	419003 (46")	419468 (34")	N/A
10	Air Cavity Drain to Tank Drain	420539 (68") both directions		N/A
11	Power Rinse Tank Fill	420987 (43") both directions		602518-LR, 602518-RL
12	Prewash Fill (if equipped)	419228 (12") both directions		602518-LR, 602518-RL

NOTE: Draw a line between two matching numbers to illustrate the hose (see 4 to 4 below).

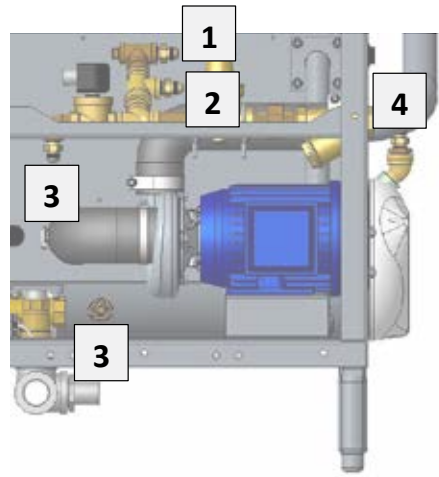


L-R Machine



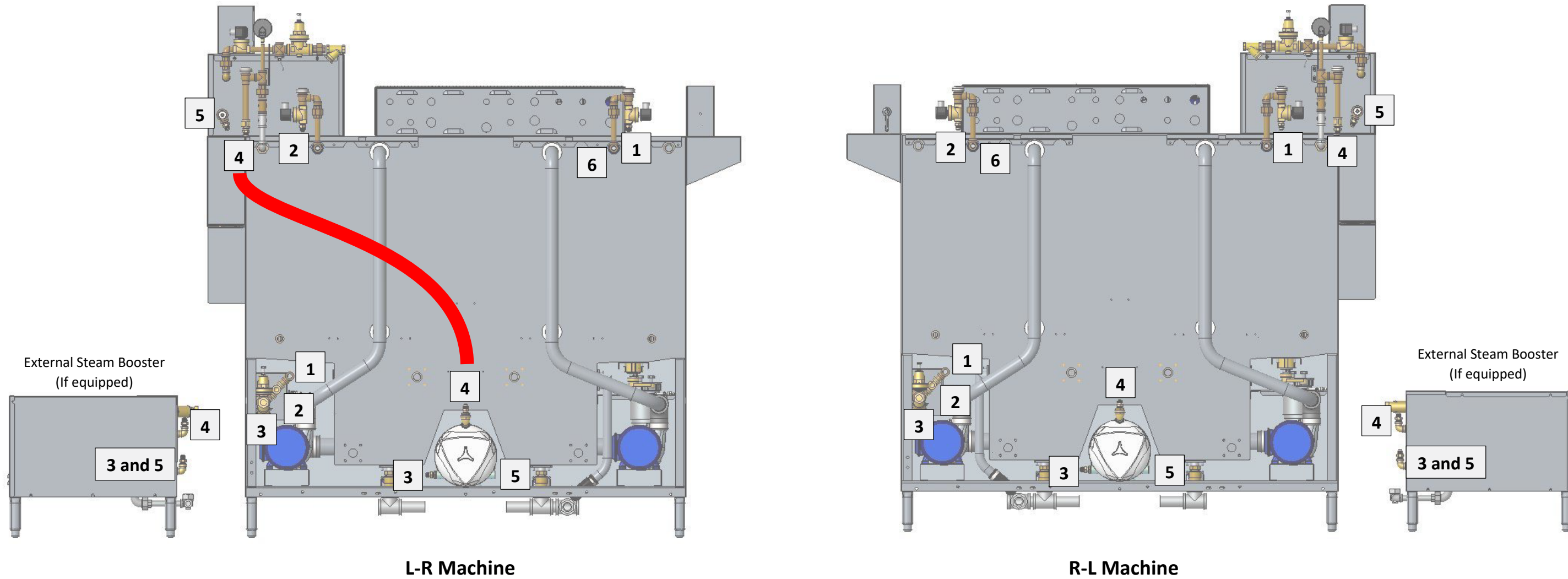
R-L Machine

64PRO Hose Plumbing Diagram, With Booster, Standard or Hi-Hood



Hose #	Hose Description	L-R Machine		R-L Machine		Reference Piping Drawings
		Electric Booster	External Steam Booster	Electric Booster	External Steam Booster	
1	LH Tank Fill	419013 (80") all versions				602526, 602534
2	RH Tank Fill	421327 (52") all versions				602526, 602534
3	Booster Feed	421043 (30")	419007 (70")	421043 (30")	421326 (105")	602534
4	Final Rinse	419010 (56")	419007 (70")	419010 (56")	419007 (70")	421027, 602435, 421097 (steam)
5	Heat Recovery (if equipped)	420980 (75")	419007 (70")	420980 (75")	419007 (70")	421027, 602436 421097 (steam)
6	Prewash Fill (if equipped)	419228 (12") both directions				602526

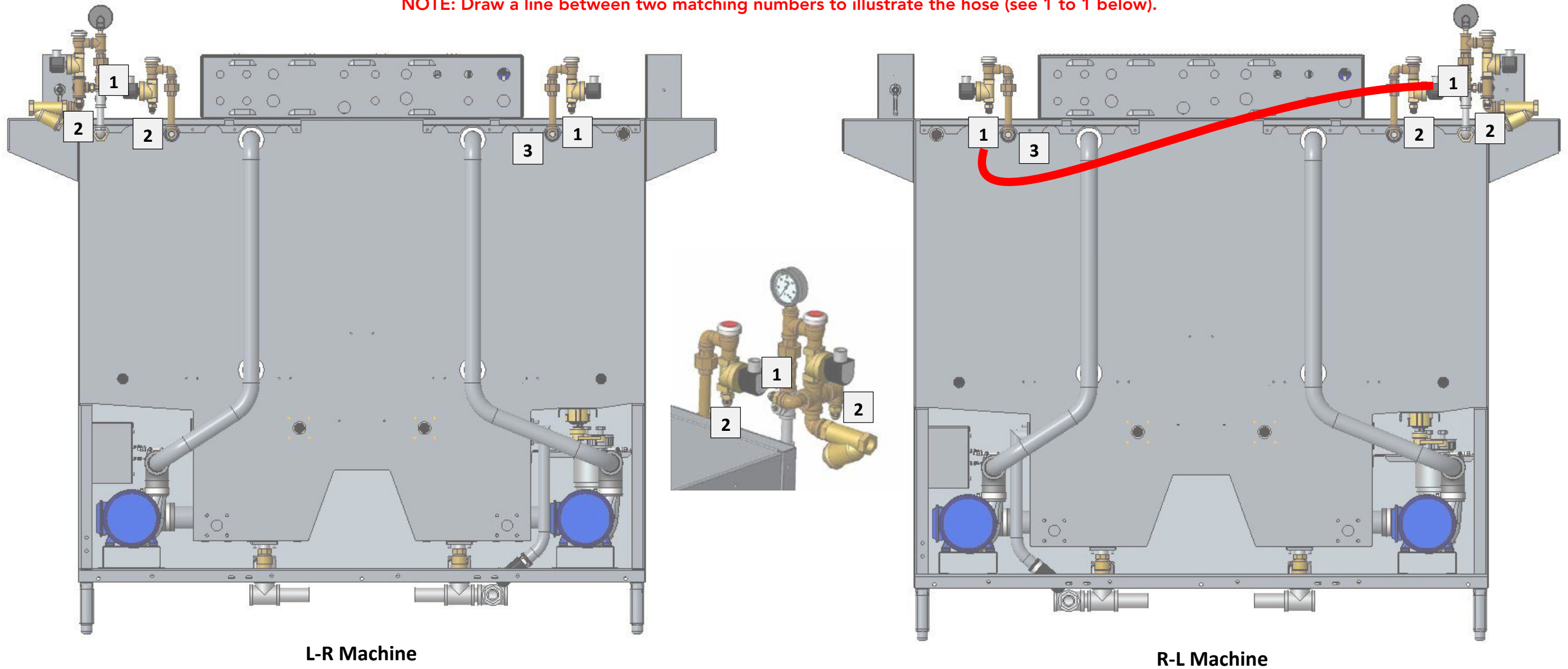
NOTE: Draw a line between two matching numbers to illustrate the hose (see 4 to 4 below).



64PRO Hose Plumbing Diagram, No Booster

Hose #	Hose Description	L-R Machine	R-L Machine	Reference Piping Drawings
1	Wash Tank Fill	419012 (60") both directions		602526, 602535
2	Power Rinse Tank Fill	421307 (18") both directions		602526, 602535
3	Prewash Fill (if equipped)	419228 (12") both directions		602526

NOTE: Draw a line between two matching numbers to illustrate the hose (see 1 to 1 below).



**This Page
Intentionally
Left Blank**